



Home Embroidery Machine

PARTS REFERENCE LIST

MODEL: PR655

PR655C

CONFIDENTIAL

©2013 Brother Industries, Ltd.
All rights reserved.

Published: Jun.,2013
Revised: Dec.,2016

Country Code & Abbreviation of Country Name

Country Code	Abbr.	Country Name	Country Code	Abbr.	Country Name	Country Code	Abbr.	Country Name
USA/Canada			Europe			Asia/Oceania		
200	USA	America	401	ZAF	South Africa	601	KOR	Korea
251	CAN	Canada	402	EGY	Egypt	603	TWN	Taiwan
			411	MUS	Mauritius	604	HKG	Hong Kong
301	PER	Peru				605	VNM	Vietnam
302	ARG	Argentina	501	IRE	Ireland	606	IDN	Indonesia
303	CHL	Chile	502	DEU	Germany	607	PHL	Philippines
304	PRY	Paraguay	503	BEL	Belgium	608	MYS	Malaysia
305	URY	Uruguay	505	UK	United Kingdom	609	SGP	Singapore
306	BRA	Brazil	506	FRA	France	615	IND	India
307	VEN	Venezuela	507	NOR	Norway	616	THA	Thailand
308	MEX	Mexico	508	NLD	Netherlands	622	CHN	China
309	COL	Colombia	509	AUT	Austria			
310	PAN	Panama	510	GRC	Greece	701	AUS	Australia
318	GTM	Guatemala	511	SWE	Sweden	702	NZL	New Zealand
324	GUF	FR. Guiana	515	ESP	Spain			
330	BRB	Barbados	516	PRT	Portugal	902	ISR	Israel
399	-	Latin America 2&5	517	ITA	Italy	903	SYR	Syria
			519	FIN	Finland	904	TUR	Turkey
			520	CHE	Switzerland	905	JOR	Jordan
			521	DNK	Denmark	906	KWT	Kuwait
			524	MLT	Malta	908	SAU	Saudi Arabia
			550	EEU	East Europe	909	IRQ	Iraq
			556	RUS	Russia	910	IRN	Iran
			599	NEU	North Europe	911	CYP	Cyprus
						915	UAE	United Arab Emirates

Meaning of "R" and "H"

No.	CODE	NAME	R/H	REMARKS
1	XA9644050	T BELT	H	High mortality parts
2	XA8474051	UPSET 4X12 DB		
3	XA9652150	MOTOR FAN		
4	XC5764051	MOTOR HOLDER BASE		
5	X57908052	TAPTITE, BIND S M4X10		Recommend spare parts & High mortality parts
6	XE8185001	MAIN MOTOR ASSY	R/H	
7	XC6481051	MOTOR CAP		
8	XA9649050	FEEDER TUBE		Recommend spare parts
9	XC0443051	SPACER 4X7		
10	XA9650051	MOTOR SPACER PRESSER		
11	052401605	SCREW, PAN (S/P WASHER) M4X16		
12	XC5762051	MOTOR HOLDER		
13	XC5763051	MOTOR HOLDER SPACER		
14	XE1142001	NEEDLE PLATE	R	
15	XC6404051	SCREW, FLAT M4		

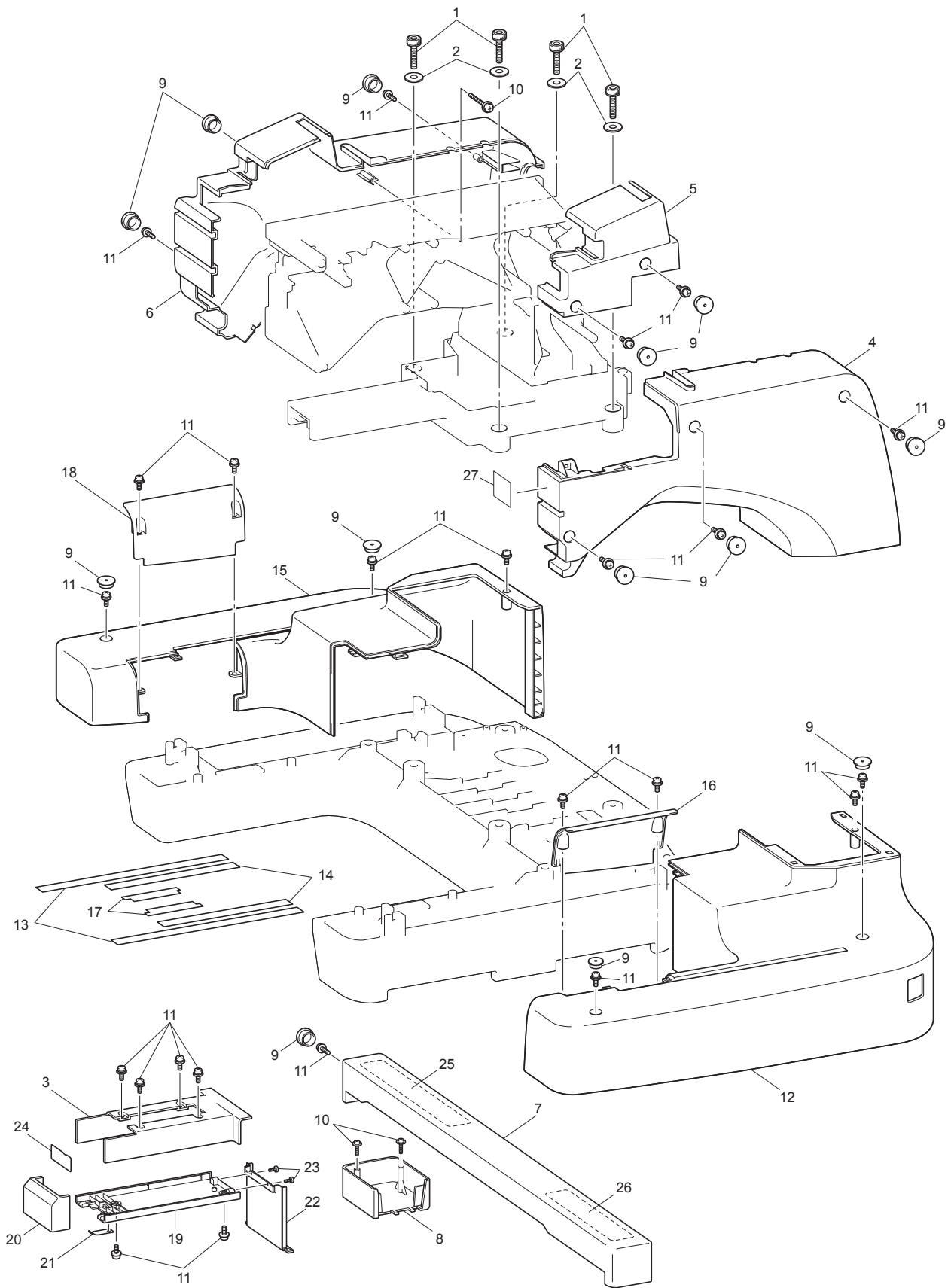
CONTENTS

(1) MAIN FRAME / COVER	2
(2) UPPER SHAFT MECHANISM.....	4
(3) NEEDLE BAR MECHANISM.....	6
(4) NEEDLE CHANGER UNIT	10
(5) NEEDLE THREADING MECHANISM	12
(6) ELECTRIC PARTS	14
(7) MAIN MOTOR UNIT	18
(8) XYCARRIAGE MECHANISM	20
(9) LOWER SHAFT MECHANISM.....	26
(10) THREAD CUTTING MECHANISM	28
(11) WIPER MECHANISM	30
(12) UPPER THREADING MECHANISM	32
(13) ACCESSORY PARTS	36
(14) PACKAGE / USER MANUAL.....	38

Note on parts:

We keep performance parts for this sewing machine for at least 8 years after this model is discontinued. Performance parts are the necessary parts to maintain the function of the sewing machine.

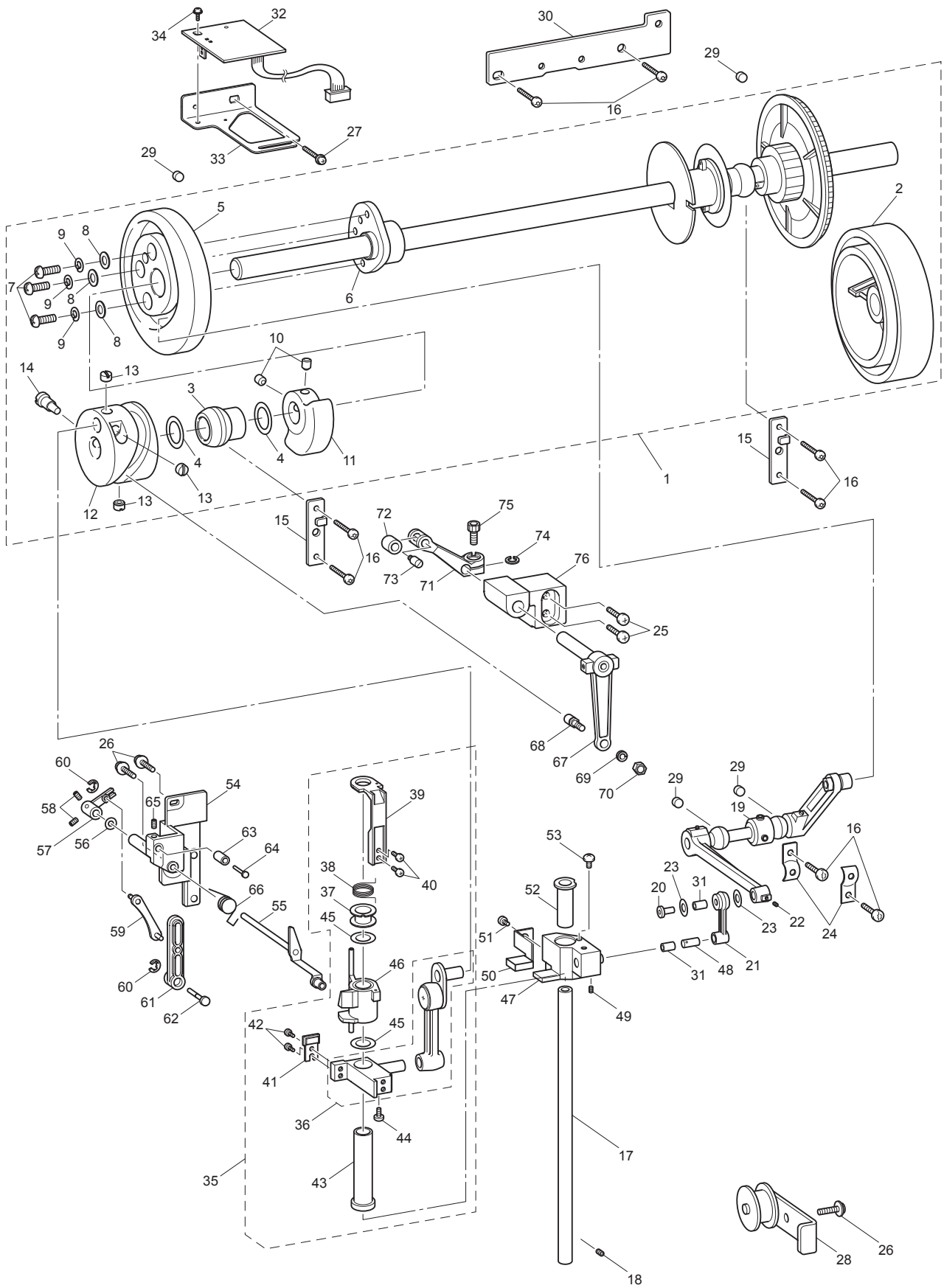
(1) MAIN FRAME / COVER



(1) MAIN FRAME / COVER

No.	CODE	NAME	R/H	REMARKS
1	018083536	BOLT, SOCKET M8X35		
2	025080236	WASHER, PLAIN M 8		
3	XE1807102	BED COVER TOP	R	
4	XC5589159	ARM COVER R	R	
5	XC5590152	ARM COVER R LID	R	
6	XC5591259	ARM COVER L	R	
7	XC5592152	CARRIAGE COVER	R	
8	XC5593052	MOTOR COVER	R	
9	XC5594052	SCREW COVER		
10	087411416	TAPTITE, CUP B M4X14		
11	0A5401006	SCREW, PAN (S/P WASHER) M4X10		
12	XC5581052	BASE COVER R	R	
13	XC6069051	GROOVE COVER A		
14	XC6070051	GROOVE COVER B		
15	XC5583052	BASE COVER L	R	
16	XC5582052	BASE COVER R LID	R	
17	XC6071051	GROOVE COVER C		
18	XC5584052	BASE COVER L LID	R	
19	XC5587052	BED COVER BOTTOM	R	
20	XF7357001	HOOK COVER ASSY (USA, CAN)	R	
	XE1806102	ROTARY HOOK COVER (OTHER)	R	1000054511
21	X53638151	SPRING		
22	XC6066052	BED COVER LID	R	
23	X59629051	TAPTITE, BIND B M3X10		
24	XC6552051	OILING CAUTION LABEL		
25	XE8643101	LABEL INJURY 32X161		
26	XE8328101	LABEL INJURY 32X161		
27	XC4167051	CAUTION STICKER (KOR)		1000051371

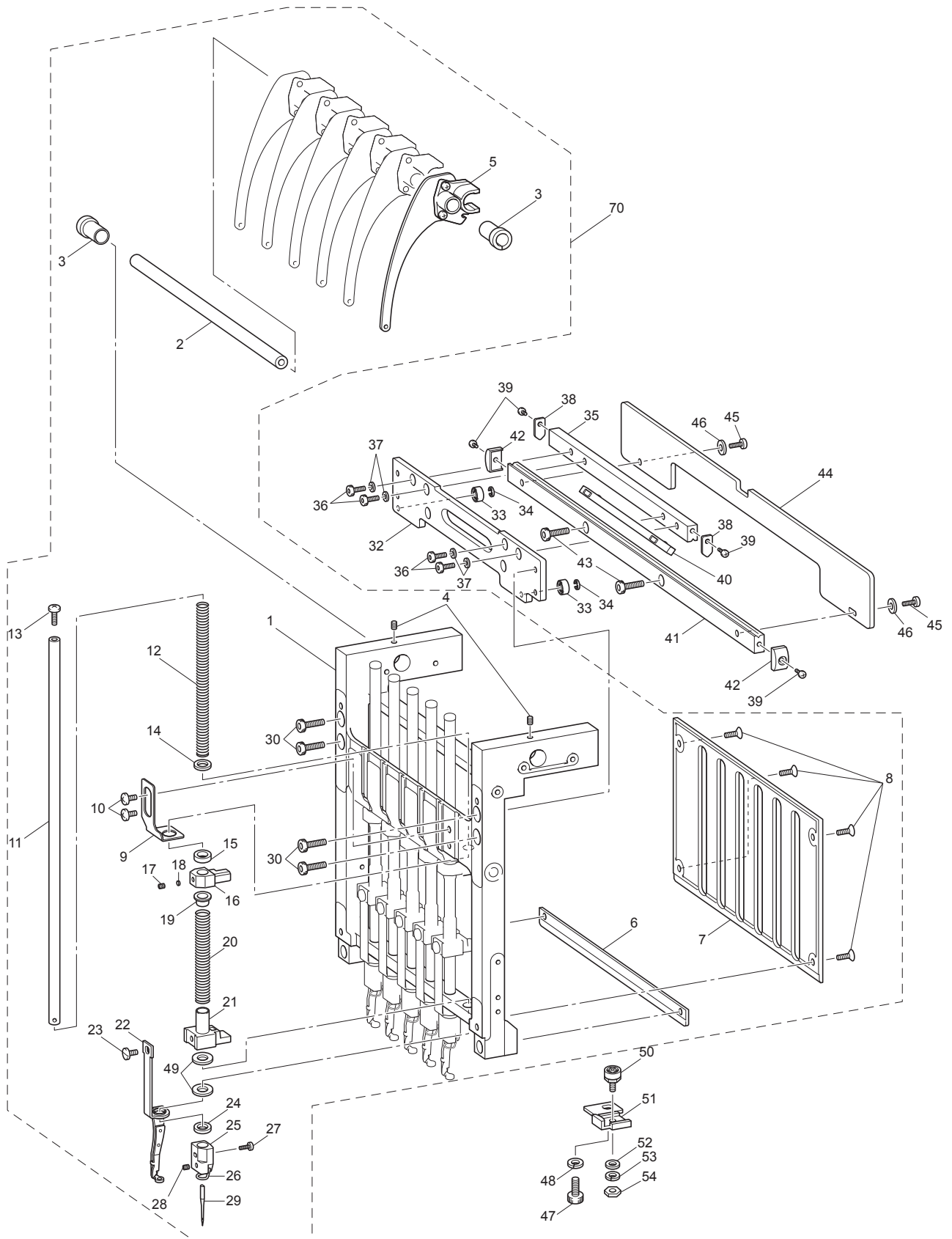
(2) UPPER SHAFT MECHANISM



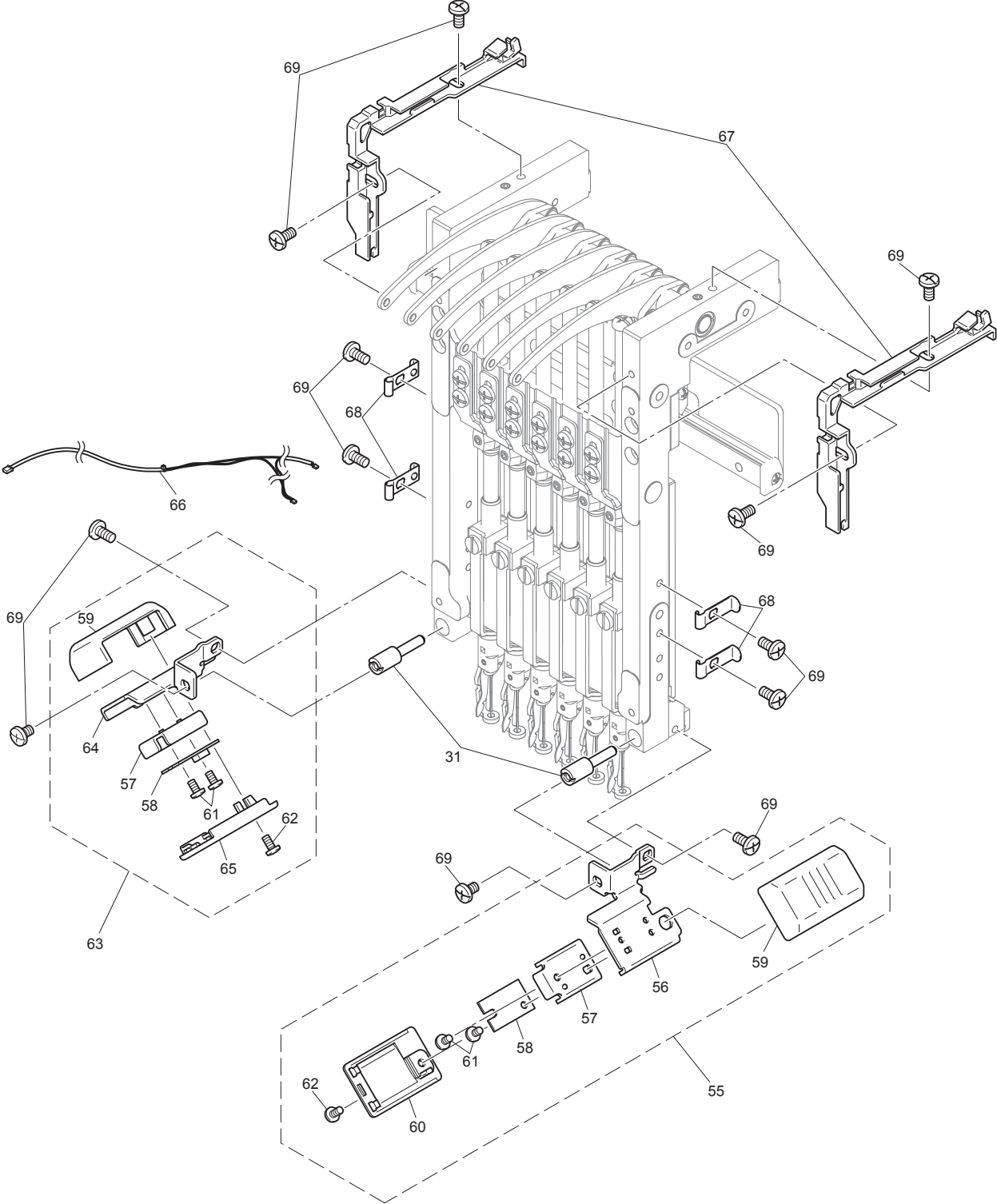
(2) UPPER SHAFT MECHANISM

No.	CODE	NAME	R/H	REMARKS	No.	CODE	NAME	R/H	REMARKS
1	XE3702302	UPPER SHAFT SUPPLY ASSY		1000052915	45	131976050	WASHER, THRUST		
2	XC5597152	PULLEY			46	XE7550001	JUMP BRACKET		
3	XC5603051	UPPER SHAFT METAL			47	XC5635151	P-FOOT VERTICAL BASE		
4	X55548050	WASHER, TRUST			48	XC5636151	P-FOOT VERTICAL PIN		
5	XC5605251	PRESSER FOOT CAM		1000052915	49	014400432	SET SCREW, SOCKET (CP) M4X4		
6	XC5606051	PRESSER FOOT CAM COLLAR			50	XC5638251	PRESSER FOOT CUSHION BASE	H	1000048831
7	062401213	SCREW PAN M4X12			51	060300516	SCREW, BIND M3X5		
8	025040133	WASHER, PLAIN S 4			52	XC5637051	P-FOOT VERTICAL BUSH		
9	028040343	WASHER SPRING 3-4			53	008260304	SCREW, TRUSS M2.6X3		
10	014500632	SET SCREW SOCKET (CP) M5X6			54	XC5648051	J BASE ASSY		
11	XC5607051	BALANCER			55	XC5651051	J DRIVING LEVER ASSY		
12	XC5609051	THREAD TAKE-UP CAM			56	X53027050	WASHER		
13	XE1211001	SET SCREW (CP) SM6.35			57	XC5656051	J DIFFERENTIAL LEVER		
14	XC5610051	SCREW			58	014300432	SET SCREW, SOCKET (CP) M3X4		
15	XC6362051	METAL PRESSER			59	XC5657051	J LINK ASSY		
16	X57908052	TAPTITE, BIND S M4X10			60	048040343	RETAINING RING, E4		1000038911
17	XC5623051	BASE NEEDLE BAR			61	XC5661051	J SLIDE LEVER		
18	014500632	SET SCREW, SOCKET (CP) M5X6			62	XC5662051	J SLIDE LEVER SHAFT		
19	XC5624351	DRIVING SHAFT ASSY, P-FOOT			63	XC5663051	J CUSHION		
20	XC5632251	P-FOOT LEVER SHAFT			64	XC5664051	J CUSHION PIN		
21	XC5633251	CONNECTING ROD, P-FOOT			65	012300432	SET SCREW, SOCKET (FT) M3X4		
22	014400432	SET SCREW, SOCKET (CP) M4X4			66	XC5665051	J LEVER SPRING		
23	X50546050	WASHER, THRUST			67	XC5639051	DRIVING LEVER ASSY, T/TAKE-UP		
24	132421051	BUSHING PRESSER			68	XC5627051	ROLLER SHAFT ASSY		
25	060501216	SCREW, BIND M5X12			69	028050246	WASHER, SPRING 2-5		
26	0A5401006	SCREW, PAN (S/P WASHER) M4X10			70	021500103	NUT, 1 M5		
27	0A4401006	SCREW PAN (S/P WASHER) M4X10		1000054402	71	XC5645051	DIFFERENTIAL LEVER, T/TAKE-UP		
28	XC6784151	TENSION PULLEY ASSY		1000051227	72	107550002	ROLLER		
29	XC3183051	FELT			73	S32575001	THREAD TAKE-UP ROLLER PIN		
30	XD0767051	LED PCB PLATE			74	148782001	SPACER		
31	XZ0207051	LINK FELT, 3.3M			75	018501232	BOLT, SOCKET M5X12		
32	XC6136051	ASSY: MAIN SHAFT SENSOR			76	XC5646051	BEARING, T/TAKE-UP		
33	XC5666051	SENSOR HOLDER							
34	XC7564051	SCREW, PAN (S/P WASHER) M3X6							
35	XZ0319151	JUMP BRACKET ASSY							
36	XC7135051	CRANK ROD SET	H						
37	XC5616051	J SPRING COLLAR							
38	XC5617051	J SPRING							
39	XC5614051	J BRACKET							
40	062300416	SCREW, PAN M3X4							
41	XC5622051	J CUSHION BASE							
42	062260316	SCREW, PAN M2.6X3							
43	XC5621051	J VERTICAL BUSH							
44	008260304	SCREW, TRUSS M2.6X3							

(3) NEEDLE BAR MECHANISM



(3) NEEDLE BAR MECHANISM



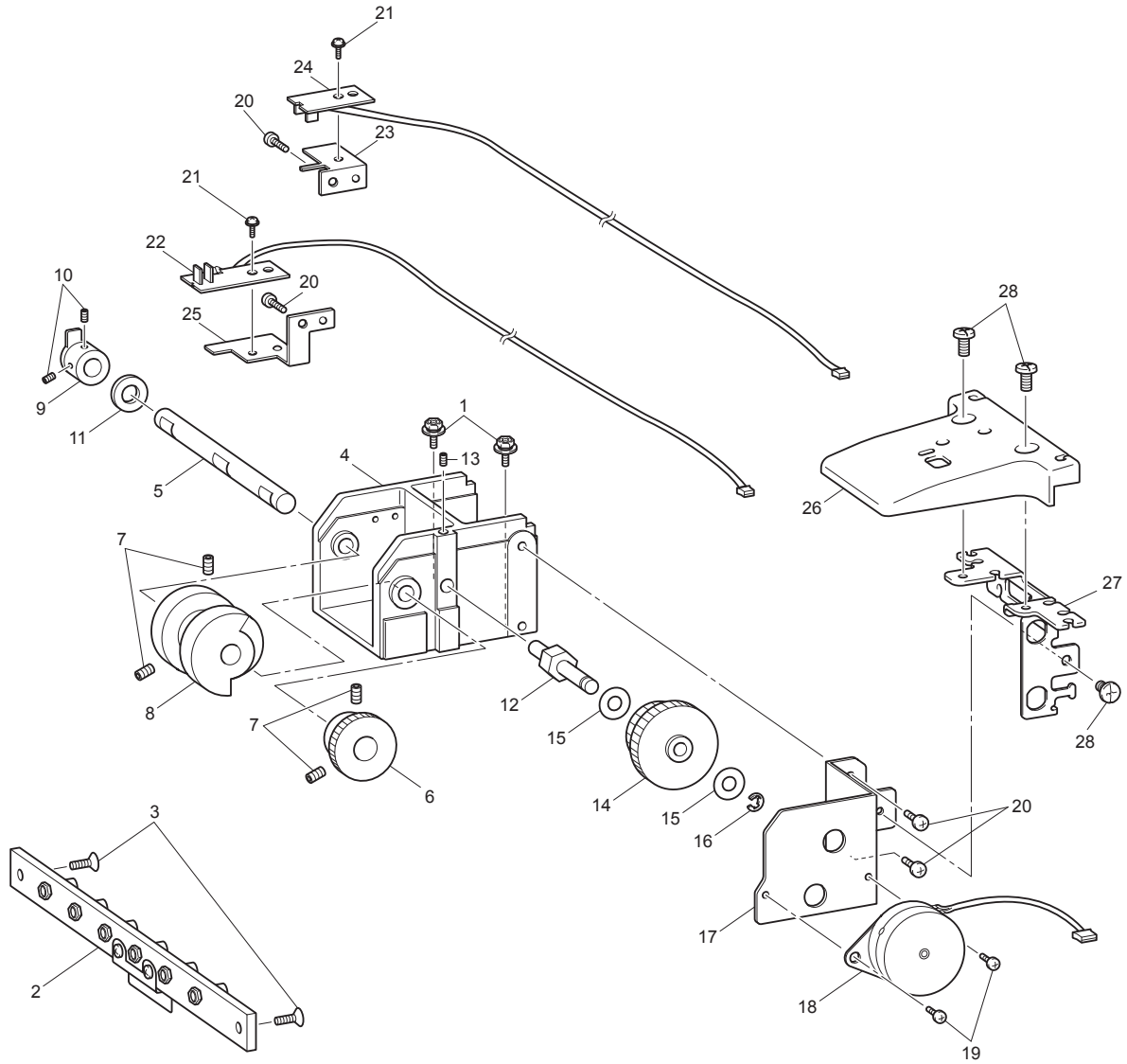
(3) NEEDLE BAR MECHANISM

No.	CODE	NAME	R/H	REMARKS	No.	CODE	NAME	R/H	REMARKS
1	XC4954251	NEEDLE BAR CASE ASSY			45	062400816	SCREW, PAN M4X8		
2	XC5671051	THREAD TAKE-UP SHAFT			46	025040236	WASHER, PLAIN M 4		
3	XC5672051	THREAD TAKE-UP BUSH			47	018501632	BOLT SOCKET M5X16		
4	012400432	SET SCREW, SOCKET (FT) M4X4			48	028050246	WASHER SPRING 2-5		
5	XC5673051	THREAD TAKE-UP LEVER ASSY			49	XC7249052	NEEDLE BAR FELT S	H	
6	XC5676051	CASE GUIDE, D			50	XC7472051	CASE POSITIONING SHAFT ASSY		
7	XC5677051	GUIDE RAIL, NEEDLE BAR			51	XC5702151	CASE POSITIONING PLATE		
8	004401003	SCREW, FLAT M4X10			52	025040236	WASHER PLAIN M 4		
9	XC5678151	TOP DEAD CENTER PLATE			53	028040246	WASHER SPRING 2-4		
10	060400616	SCREW, BIND M4X6			54	021400206	NUT 2 M4		
11	XC5679051	NEEDLE BAR			55	XF2152001	LED UNIT LEFT ASSY		
12	XC5680051	SPRING, NEEDLE BAR			56	XE6261001	LED BASE PLATE LEFT		
13	062500816	SCREW, PAN M5X8			57	XE6262001	LED LIGHT BASE		
14	118735002	WASHER			58	XF2216001	LED PCB SUPPLY ASSY		
15	S36153100	RUBBER, CUSHION	H		59	XE6263002	LED UPPER COVER		
16	XE1172001	NEEDLE BAR CLAMP			60	XE6264001	LED LOWER COVER LEFT		
17	014680432	SET SCREW, SOCKET SM4.37-40X4			61	060300516	SCREW BIND M3X5		
18	100507050	WASHER			62	X59629051	TAPTITE BIND B M3X10		
19	XC5682051	PRESSER FOOT SPRING COLLAR			63	XF2153001	LED UNIT RIGHT ASSY		
20	XC5683051	PRESSER FOOT SPRING			64	XE6267001	LED BASE PLATE RIGHT		
21	XC5684051	PRESSER FOOT CLAMP			65	XE6265001	LED LOWER COVER RIGHT		
22	XC5685151	PRESSER FOOT ASSY			66	XF6195001	LEAD WIRE ASSY LED		
23	XC5688051	SCREW, P/F			67	XE6268101	LED CORD GUIDE		
24	XC5689051	PRESSER FOOT CUSHION	H		68	XE6269101	LED CORD CLAMP		
25	XC5690051	THREAD GUIDE, NEEDLE BAR			69	060400816	SCREW BIND M4X8		
26	XC7020051	THREAD GUIDE			70	XE2882201	NEEDLE BAR UNIT ASSY		
27	XC7021052	SCREW SM 2.38							
28	016300436	SET SCREW, SOCKET (CN) M3X4							
29	XC5691011	NEEDLE HAX130 EBBR							
30	018401632	BOLT, SOCKET M4X16							
31	XC9969151	STUD BOLT, M4							
32	XC5693051	CASE BRACKET ASSY							
33	070694809	BALL BEARING RADIAL 694ZZ							
34	048030343	RETAINING RING, E3		1000038911					
35	XC5696051	CASE GUIDE, US							
36	018400832	BOLT, SOCKET M4X8							
37	XC7406051	WASHER							
38	XC5697051	SLIDE ROLLER STOPPER							
39	062300416	SCREW, PAN M3X4							
40	XC5698051	SLIDE ROLLER							
41	XC5699051	CASE GUIDE, UL							
42	XC5700051	CASE GUIDE COVER, UL							
43	018401232	BOLT, SOCKET M4X12							
44	XC5701051	THREAD TAKE-UP GUIDE							

(3) NEEDLE BAR MECHANISM

Blank page

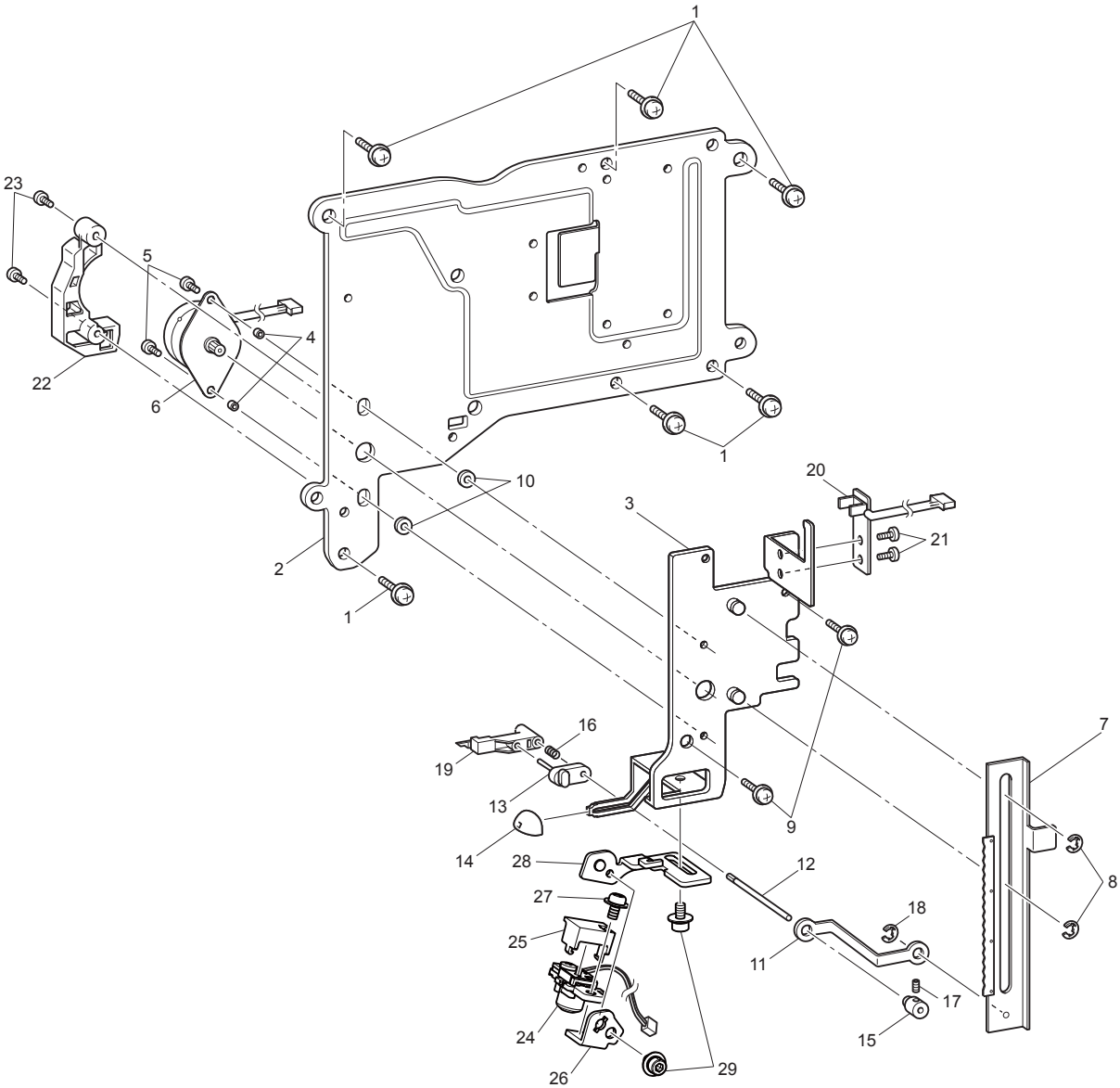
(4) NEEDLE CHANGER UNIT



(4) NEEDLE CHANGER UNIT

No.	CODE	NAME	R/H	REMARKS
1	XC7323151	BOLT (S/P WASHER) M5X16		
2	XC5717051	CHANGE ROLLER BASE ASSY		
3	004401003	SCREW, FLAT M4X10		
4	XC5705051	CHANGE BOX ASSY		
5	XC5708051	CHANGE CAM SHAFT		
6	XC5709051	CHANGE GEAR		
7	014500632	SET SCREW, SOCKET (CP) M5X6		
8	XC5710051	CHANGE CAM		
9	XC5711051	C STOP POSITION DOG		
10	014400432	SET SCREW, SOCKET (CP) M4X4		
11	X51383050	WASHER, THRUST		
12	XC5712051	DIFFERENTIAL GEAR SHAFT		
13	012400432	SET SCREW, SOCKET (FT) M4X4		
14	XC5713051	C DIFFERENTIAL GEAR		
15	025060235	WASHER, PLAIN M 6		
16	048040343	RETAINING RING, E4		1000038911
17	XC5714151	CHANGE MOTOR BASE		1000053663
18	XF7433001	I PULSE MOTOR SMJ35-4840-IP		1000039409
19	062300416	SCREW, PAN M3X4		
20	060400816	SCREW, BIND M4X8		
21	XC7564051	SCREW, PAN (S/P WASHER) M3X6		
22	XC6140051	ASSY: INDEX SENSOR		
23	XC5715151	C SENSOR BRACKET		1000056106
24	XC6143051	ASSY: COLOR CHANGE SENSOR		
25	XC5716051	C SENSOR BRACKET LOWER		
26	XE6300201	CHANGE BOX CENTER COVER		
27	XE6270101	LED CORD HOLDER		
28	060400816	SCREW BIND M4X8		

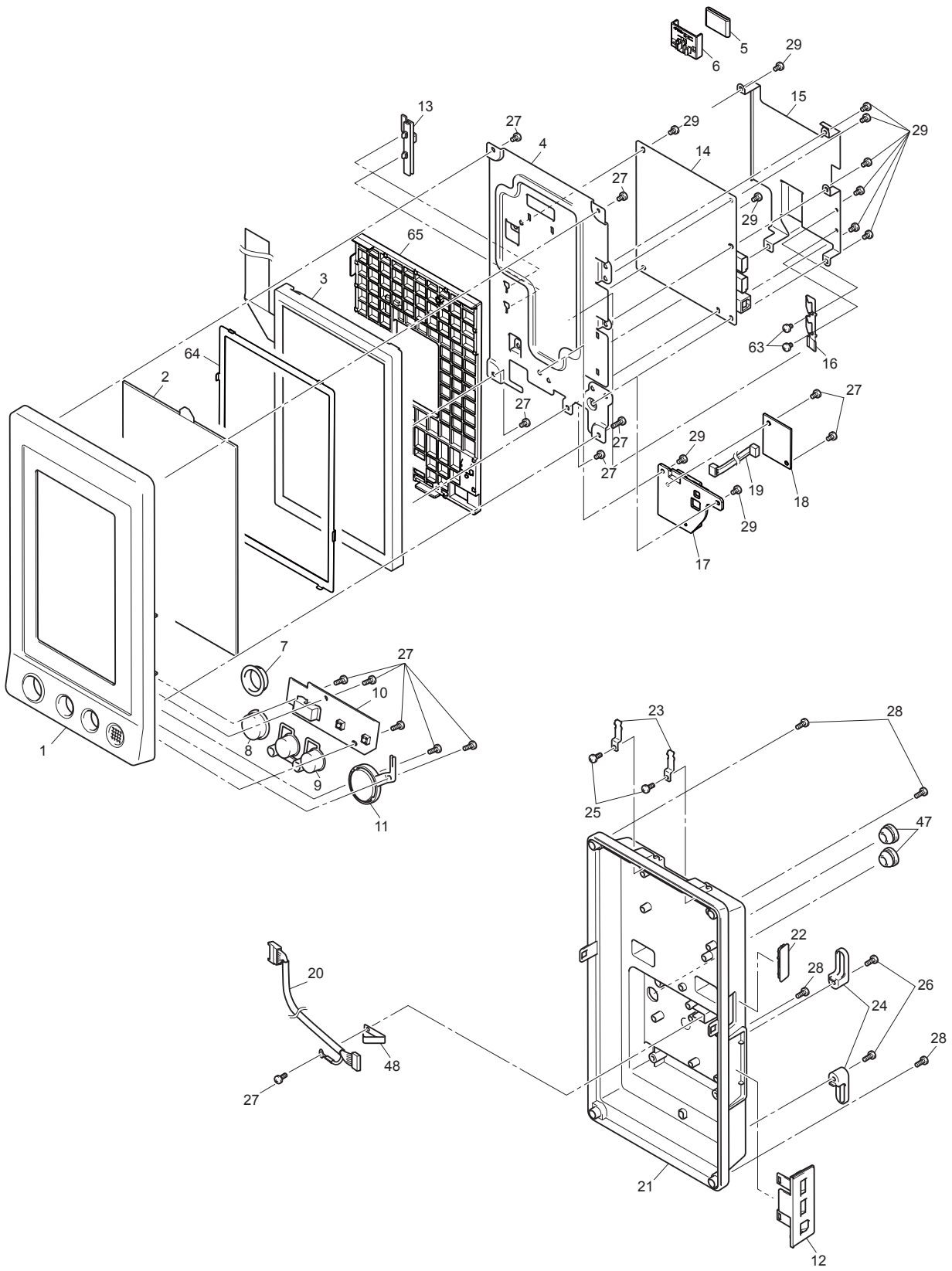
(5) NEEDLE THREADING MECHANISM



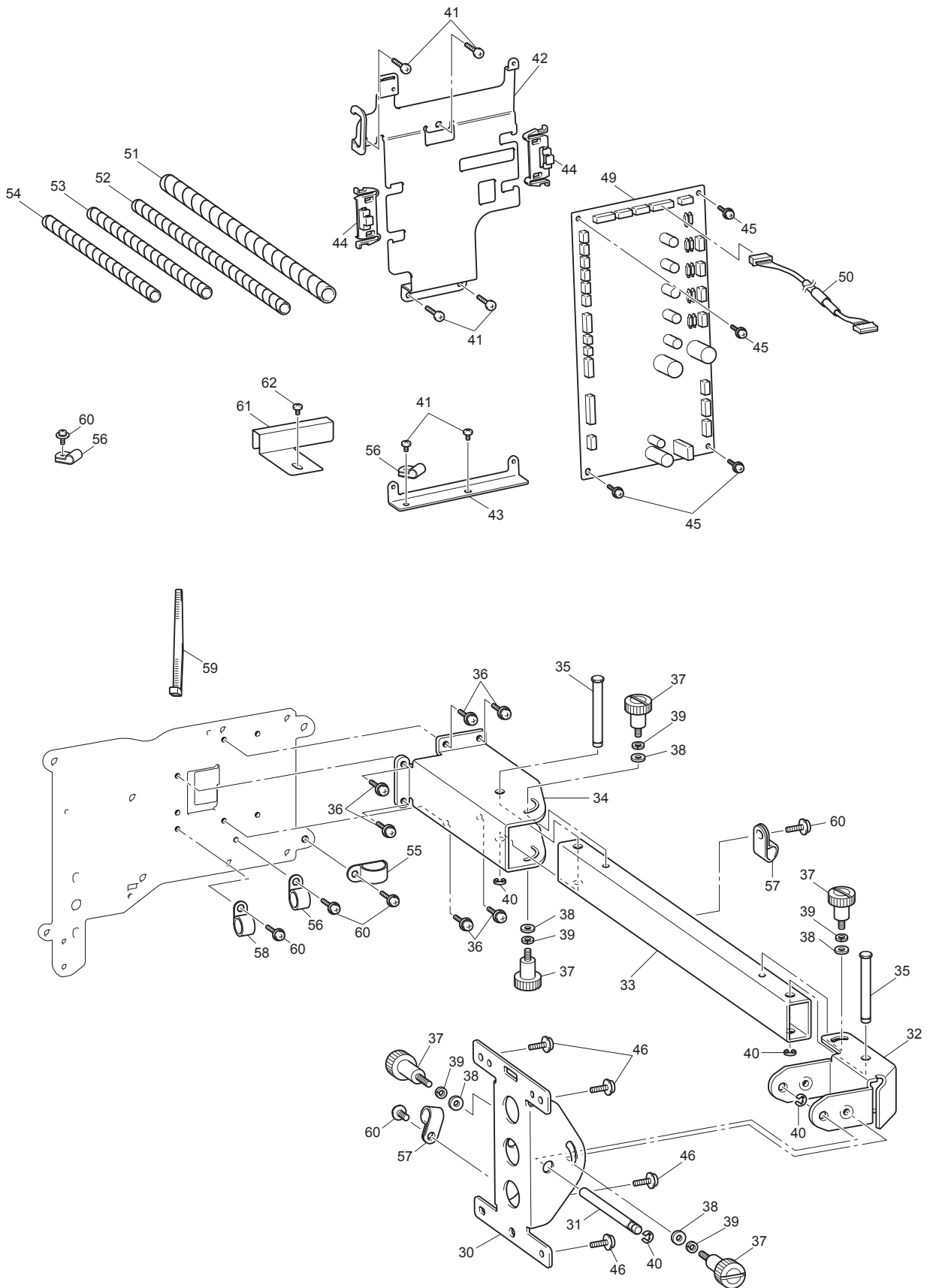
(5) NEEDLE THREADING MECHANISM

No.	CODE	NAME	R/H	REMARKS
1	X57908052	TAPTITE, BIND S M4X10		
2	XC5723251	THREAD GUIDE BASE		1000053663
3	XC5724351	BASE PLATE ASSY		
4	XC5727151	SPACER		
5	062300616	SCREW, PAN M3X6		
6	XF7431001	T PULSE MOTOR SMJ35-4840-FP		1000039409
7	XC6507051	RACK ASSY		
8	048040343	RETAINING RING, E4		1000038911
9	0A5400806	SCREW, PAN (S/P WASHER) M4X8		
10	025040136	WASHER, PLAIN S 4		
11	XC5730051	HOOK HOLDER LINK		
12	XC5739151	HOOK HOLDER AXIS B		
13	XC6510051	SET COLLAR ASSY		
14	XF2672001	CAP		
15	XC6076151	BUSH		
16	XC7375051	HOOK HOLDER SPRING	H	
17	014300332	SET SCREW, SOCKET (CP) M3X3		
18	048030343	RETAINING RING, E3		1000038911
19	XC5732151	HOOK HOLDER ASSY	R/H	
20	XC6158051	ASSY: NEEDLE TH SENSOR		
21	XC7564051	SCREW, PAN (S/P WASHER) M3X6		
22	XD0676051	LEAD WIRE GUIDE		
23	062300416	SCREW PAN M3X4		
24	XF2063001	LIGHT SOURCE ASSY		
25	XF2151001	PT GUARD COVER		
26	XF2058001	LED LENS HOLDER PLATE		
27	0A5300606	SCREW PAN (S/P WASHER) M3X6		
28	XF2057001	LED PT BASE PLATE		
29	XE7911001	BOLT SOCKET(S/P WASHER)M3X6		

(6) ELECTRIC PARTS



(6) ELECTRIC PARTS



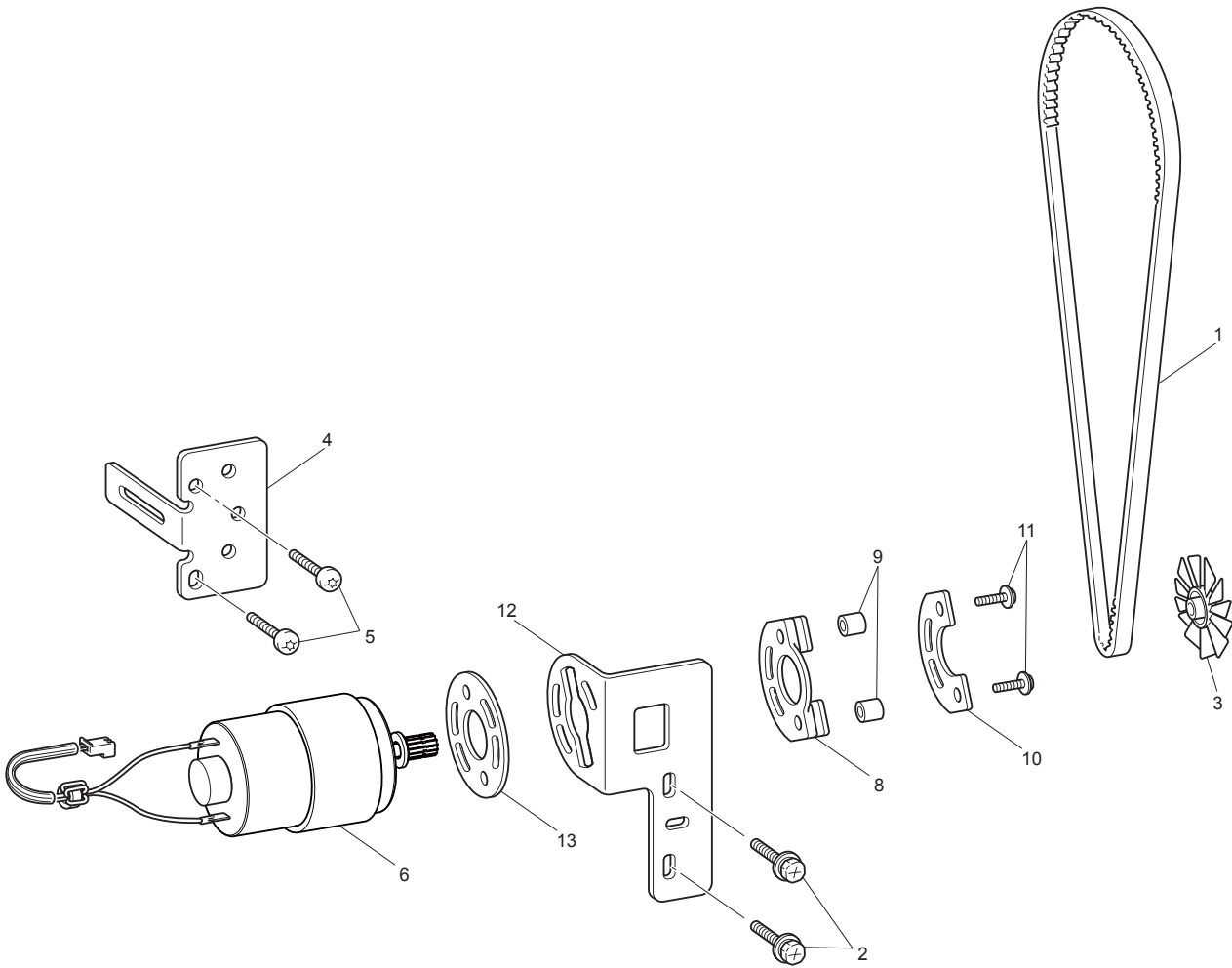
(6) ELECTRIC PARTS

No.	CODE	NAME	R/H	REMARKS	No.	CODE	NAME	R/H	REMARKS
1	XE6355002	PANEL FRONT COVER BADGE ASSY	R		45	XC7564051	SCREW, PAN (S/P WASHER) M3X6		
2	XE6294001	TOUCH PANEL: TP-3686S3F0	R		46	087411416	TAPTITE, CUP B M4X14		
3	XF0077101	LCD SUPPLY ASSY	R		47	XC7233051	CORD BUSHING 5P-4		
4	XE6228101	PCB BASE PLATE			48	XE6247001	GROUND SPRING		
5	XE9920001	FERRITE CORE:FSRC310200RN000T			49	XF2214001	MAIN PCB SUPPLY ASSY	R/H	
6	XE9963001	FERRITE HOLDER WIDE			50	XC6198051	LEAD WIRE ASSY: HEAD		
7	XE6230001	SS BUTTON GUIDE			51	XC5069051	SPIRAL TUBE A		
8	XE6232101	SS BUTTON			52	XC5073051	SPIRAL TUBE B		
9	XE6234002	OPERATION BUTTON			53	XC5078051	SPIRAL TUBE C		
10	XE6149001	SS PCB ASSY			54	XC6407051	SPIRAL TUBE D		
11	XE6236001	SPEAKER SET			55	XZ0201051	CORD CLAMP: WL-5/8		
12	XE6238001	USB COVER			56	XC5243051	CORD CLAMP: NK-5N		
13	XE6240001	BOARD SUPPORTER			57	XC5243052	CORD CLAMP: NK-5N		
14	XF2215001	PANEL PCB SUPPLY ASSY	R/H		58	S10243000	CORD HOLDER: NK-3N		
15	XE6241001	PANEL PCB CASE			59	X53169050	BAND		
16	XE5267001	GROUND PLATE USB			60	0A5401006	SCREW, PAN (S/P WASHER) M4X10		
17	XE9964001	PCB HOLDER ASV RELAY			61	XC5157051	PROTECT SHEET		
18	XE9813001	BACK LIGHT DRIVE PCB ASSY			62	060400516	SCREW, BIND M4X5		
19	XE9919001	LEAD WIRE ASSY:X2 PR-E LED BL			63	060300416	SCREW BIND M3X4		
20	XE9912001	LEAD WIRE ASSY:PANEL			64	XE9966101	ELECTRIC STATIC PREVENTER		
21	XE6243201	PANEL REAR COVER	R		65	XE9967001	LCD SPACER		
22	XE6244001	CARD COVER							
23	XE6246001	PEN HOLDER							
24	XD0761051	USB CORD HOLDER							
25	136681051	TAPTITE, BIND B M3X8							
26	X59629051	TAPTITE, BIND B M3X10							
27	136681051	TAPTITE, BIND B M3X8							
28	X59629051	TAPTITE, BIND B M3X10							
29	060300516	SCREW BIND M3X5							
30	XE6259001	PANEL HOLDER							
31	XC5747051	OPERATION PANEL HOLDER SHAFT							
32	XD0664051	OPERATION PANEL LEVER A							
33	XE7022001	OPERATION PANEL LEVER B							
34	XD0666251	OPERATION PANEL LEVER C		1000053495					
35	XC5751051	OPERATION PANEL LEVER SHAFT							
36	0A5400806	SCREW, PAN (S/P WASHER) M4X8							
37	XC5553051	THUMB BOLT M4 L							
38	026040236	WASHER, PLAIN M 4							
39	028040246	WASHER, SPRING 2-4							
40	048060343	RETAINING RING, E6		1000038911					
41	X57908052	TAPTITE, BIND S M4X10							
42	XE8102101	BOARD HOLDER U		1000053651					
43	XE8103001	BOARD HOLDER D							
44	XE8104001	PCB SUPPORTER							

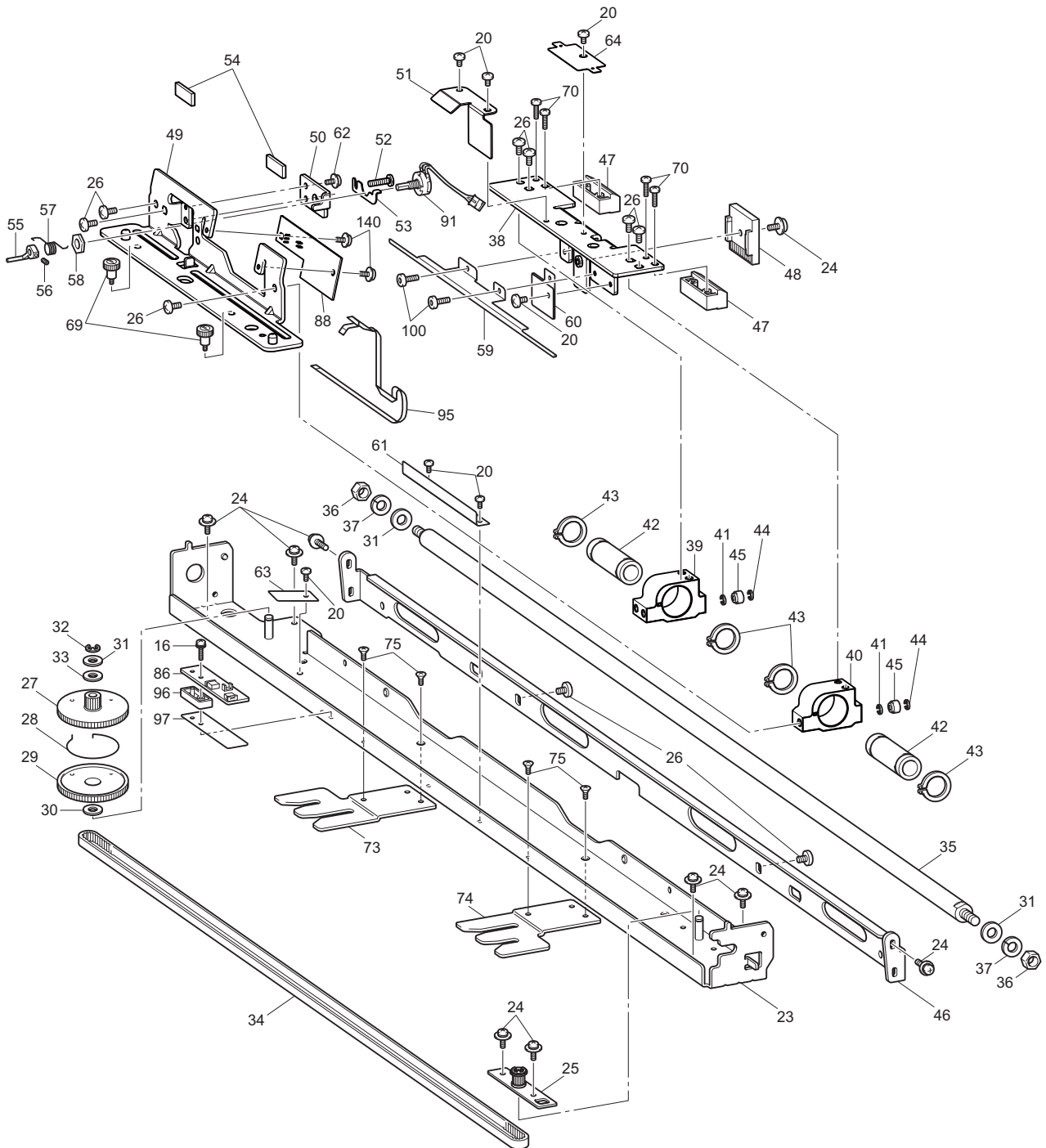
(6) ELECTRIC PARTS

Blank page

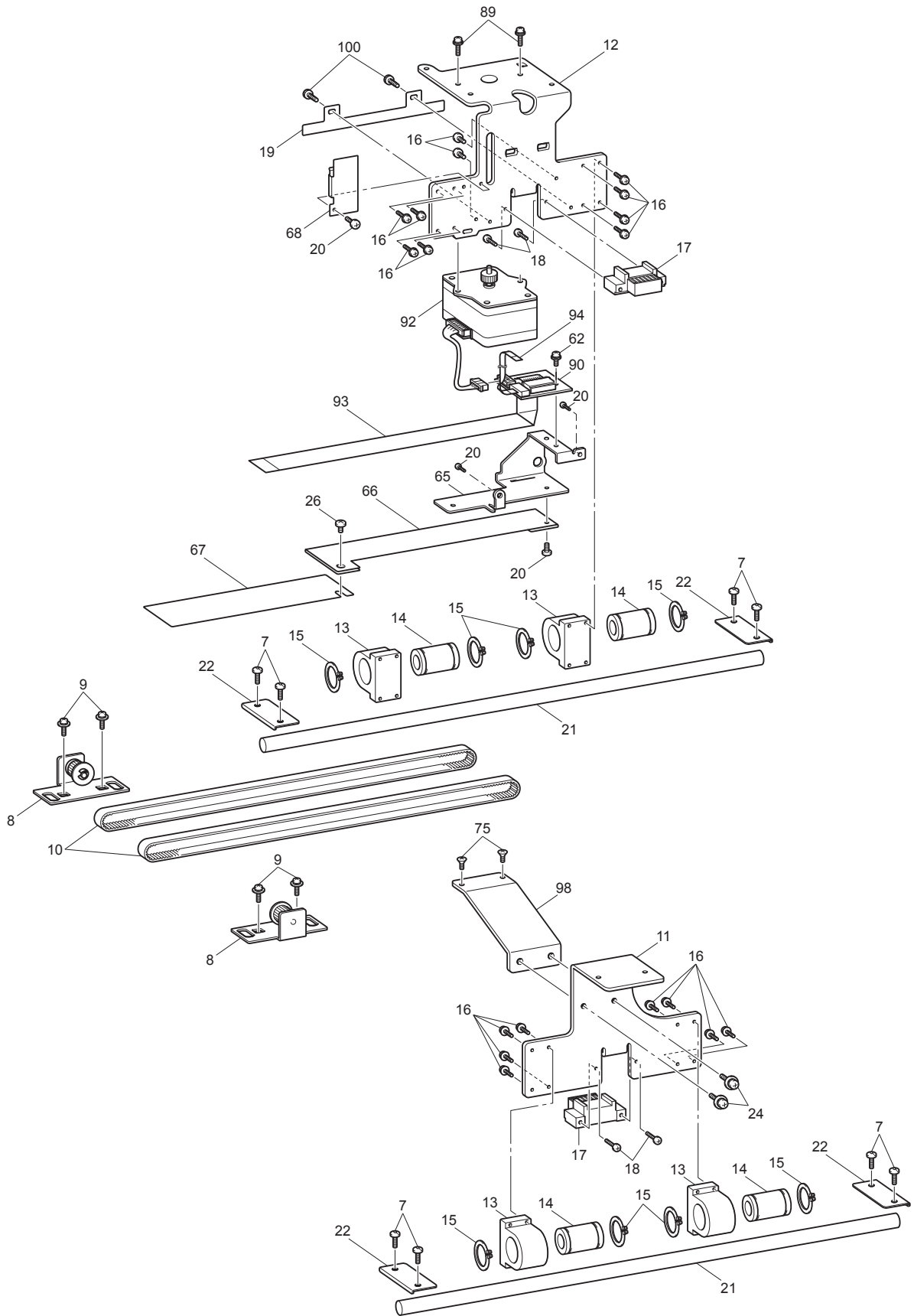
(7) MAIN MOTOR UNIT



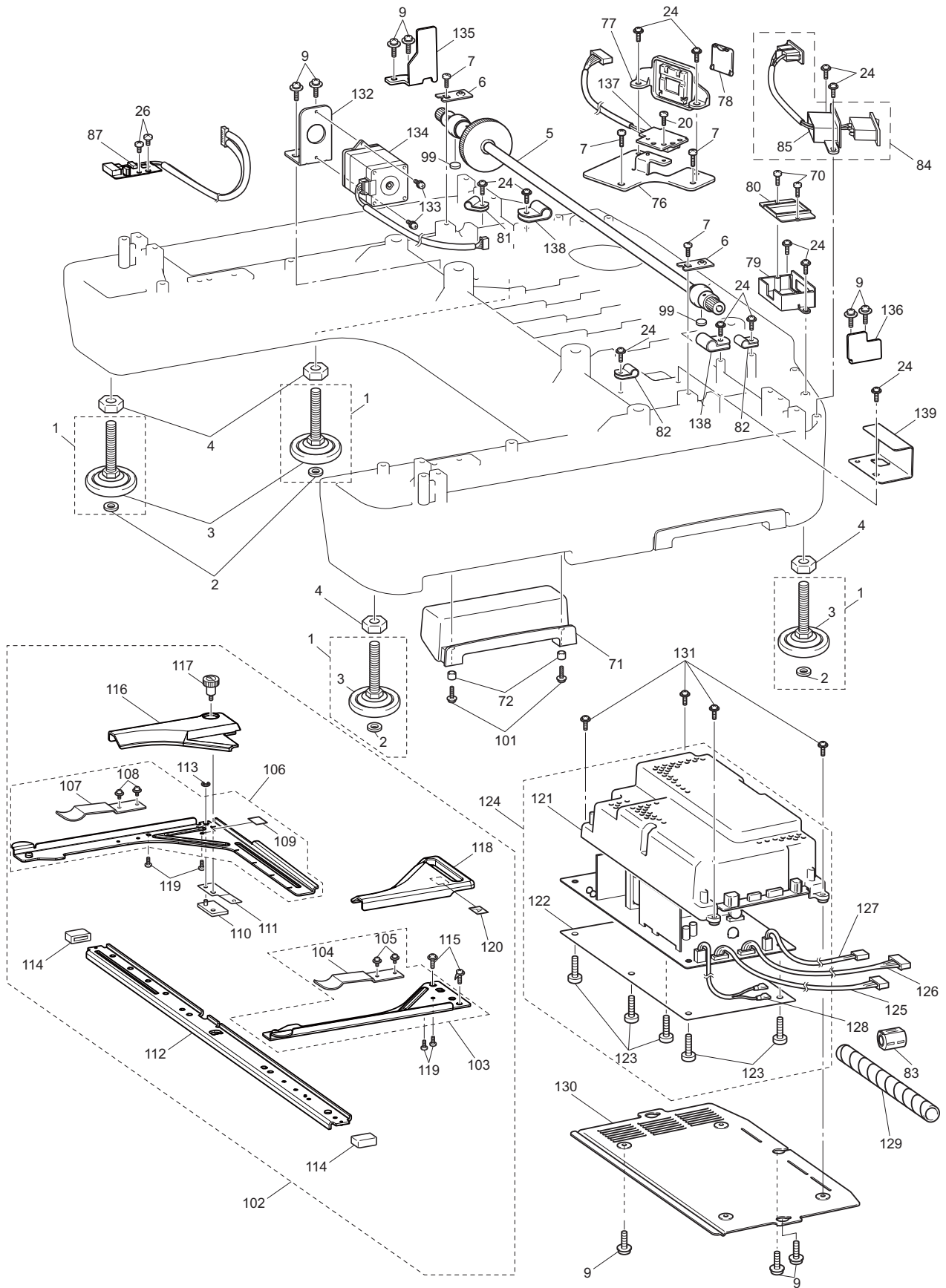
(8) XYCARRIAGE MECHANISM



(8) XYCARRIAGE MECHANISM



(8) XYCARRIAGE MECHANISM



(8) XYCARRIAGE MECHANISM

No.	CODE	NAME	R/H	REMARKS	No.	CODE	NAME	R/H	REMARKS
1	XD0747051	ADJUST BOLT M8			45	XC5796051	X ROLLER		
2	XD0751051	WASHER			46	XC6221051	X FEED FRAME B		
3	XD0752051	RUBBER CUSHION	H		47	XC6218051	Y FRAME SPACER		
4	021080206	NUT, 2 M8			48	XC5798051	X BELT PRESSER		
5	XC5767151	Y DRIVING SHAFT ASSY			49	XF2147001	X CARRIAGE AX SUB ASSY		
6	X52478051	BUSHING PRESSER			50	XF2148001	X CARRIAGE CX		
7	X57908052	TAPTITE, BIND S M4X10			51	XF2163001	X CARRIAGE DX		
8	XC5771051	Y TENSION PLATE SET			52	060301216	SCREW BIND M3X12		
9	0A5401006	SCREW, PAN (S/P WASHER) M4X10			53	XE7362001	PT METER PLATE B		
10	XC5775051	T BELT B60S3M579			54	XE8211001	X CARRIAGE SLIDING SHEET		
11	XC5776051	Y CARRIAGE R			55	XC5801051	HOOP LEVER		
12	XC5777151	Y CARRIAGE L		1000056106	56	012300632	SET SCREW, SOCKET (FT) M3X6		
13	XC5779051	BEARING CASE Y			57	XC5802051	SPRING		
14	XC5780051	BEARING 10, LINER			58	X52569001	NUT		
15	048190142	RETAINING RING, EXTERNAL C19			59	XC5803051	X SENSOR DOG		
16	0A4301006	SCREW, PAN (S/P WASHER) M3X10			60	XC5804051	X CABLE FIXING SHEET A		
17	XC5781251	Y BELT PRESSER		1000043047	61	XC5805051	X CABLE FIXING SHEET B		
18	085311416	TAPTITE, BIND P M3X14			62	XC7564051	SCREW, PAN (S/P WASHER) M3X6		
19	XC5782051	Y SENSOR DOG			63	XC5806051	X CABLE FIXING SHEET C		
20	060300416	SCREW, BIND M3X4			64	XF2149001	X CABLE FIXING SHEET E		
21	XC5783051	Y GUIDE SHAFT			65	XC5807051	PCB SET PLATE		
22	XC5784151	FIXED Y SHAFT PLATE			66	XC5808051	Y CABLE PROTECTION SHEET A		
23	XC5785051	FEED FRAME ASSY			67	XC6121051	Y CABLE PROTECTION SHEET B		
24	0A5400806	SCREW, PAN (S/P WASHER) M4X8			68	XC5809151	CODE GRIP		
25	XA9657051	TENSION PULLEY ASSY			69	XC5817051	SCREW, KNOB M4S		
26	060400616	SCREW, BIND M4X6			70	X59629051	TAPTITE, BIND B M3X10		
27	XC3227001	Y DRIVING GEAR PULLEY A			71	XC5834051	HANDLE		
28	XC3194051	SPRING FOR GEAR			72	XC5835051	BUSH 4X4		
29	XC3192001	Y DRIVING GEAR PULLEY B			73	XE2319001	CYLINDER CONNECTION L		
30	X50546050	WASHER, THRUST			74	XE2320001	CYLINDER CONNECTION R		
31	XE0863051	WASHER, M6			75	061300616	SCREW, FLAT M3X6		
32	048040343	RETAINING RING, E4		1000038911	76	XE8122001	EX CONNECTOR HOLDER		
33	X53838051	WASHER			77	XE8123001	EX CONNECTOR HOLDER COVER		
34	XC5788051	T BELT B60S796			78	XE8124001	EX CONNECTOR HOLDER COVER LID		
35	XC5789051	X GUIDE SHAFT			79	XC5839152	INLET COVER		
36	021060206	NUT, 2 M6			80	XC6072051	INLET COVER LID		
37	028060246	WASHER, SPRING 2-6			81	XA8837051	CORD CLAMP		
38	XF2146001	X CARRIAGE BX			82	XA7678051	CORD CRAMP		
39	XC5792051	BEARING CASE X ASSY			83	XE7045001	FERRITE CORE: LF0930A		
40	XF2061001	BEARING CASE XB ASSY			84	XE8187001	POWER SWITCH ASSY 120		
41	048040343	RETAINING RING, E4		1000038911		XE8188001	POWER SWITCH ASSY 200		
42	XC6222001	BEARING 12 LINER		1000052910	85	XC5840053	SWITCH HOLDER		
43	048210142	RETAINING RING, EXTERNAL C21			86	XF6056001	X AREA PCB ASSY		
44	048040343	RETAINING RING, E4		1000038911	87	XE7947001	Y AREA PCB ASSY		

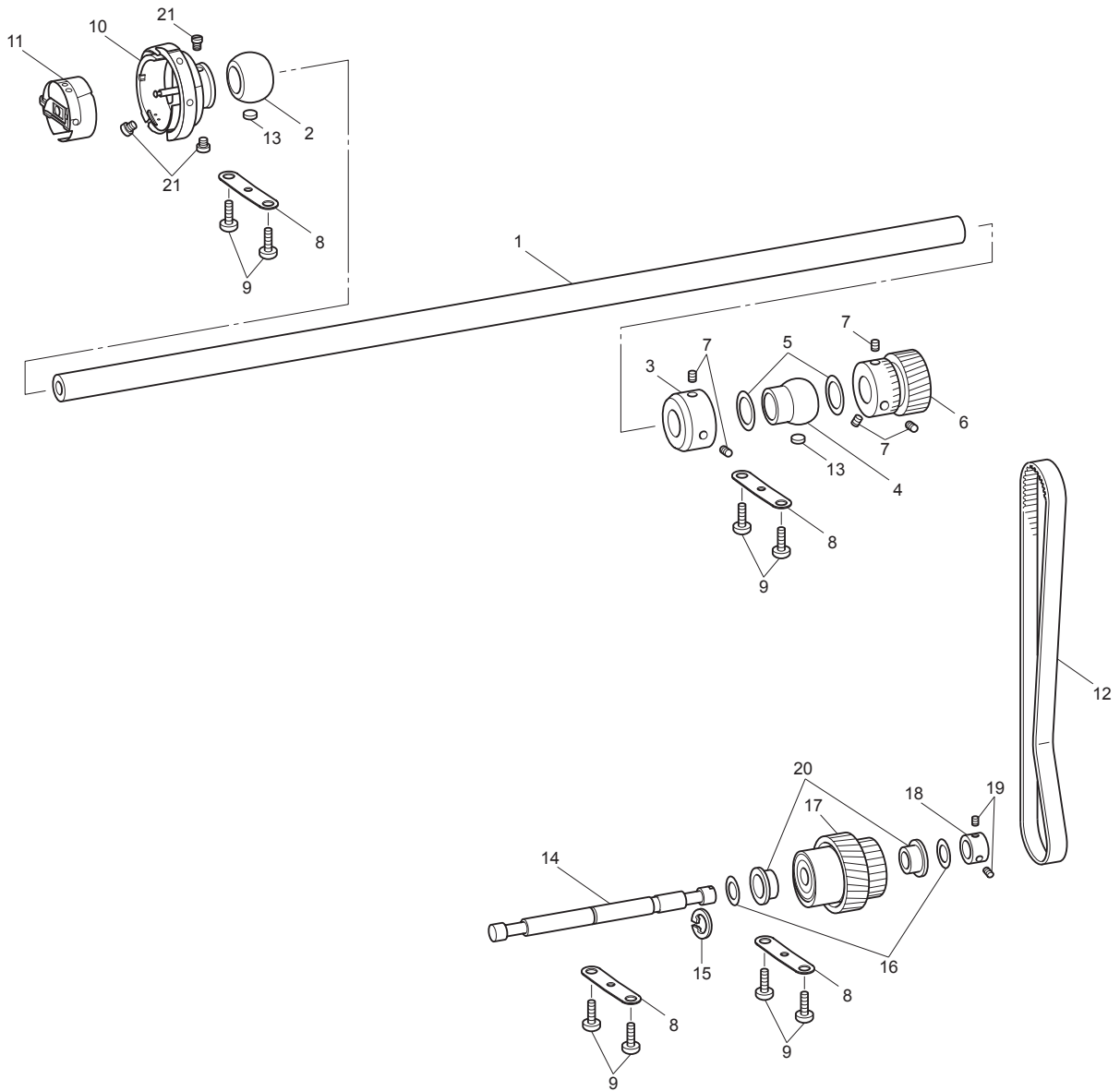
(8) XYCARRIAGE MECHANISM

No.	CODE	NAME	R/H	REMARKS	No.	CODE	NAME	R/H	REMARKS
88	XF6057001	HOOP PCB ASSY			130	XE7369001	POWER UNIT STAY		
89	0A4300806	SCREW PAN (S/P WASHER) M3X8			131	0A5401206	SCREW, PAN (S/P WASHER) M4X12		
90	XE7948001	CONNECT PCB ASSY			132	XC5810151	Y MOTOR STAY		1000050032
91	XC6177051	ASSY: HOOP SENSOR			133	0A4300606	SCREW, PAN (S/P WASHER) M3X6		
92	XC6182051	ASSY: X MOTOR	H		134	XC6183051	ASSY: Y MOTOR	H	
93	XE7940001	FLEXIBLE FLAT CABLE:SML2CD-YC			135	XE7433001	BELT SUPPORT L		
94	XF6093001	FLEXIBLE FLAT CABLE:SML2CD-CX			136	XE7434001	BELT SUPPORT R		
95	XF6094001	FLEXIBLE FLAT CABLE:SML2CD-XH			137	XE8088001	EXTENSION IF PCB ASSY:PR L		
96	XC6219151	X FRAME SPACER			138	XE8308001	CORD CLAMP:WL-1/2		
97	XE2281001	INSULATION SHEET			139	XE7406001	POWER UNIT CODE GUIDE		
98	XC6500051	Y CARRIAGE RB			140	XC7644051	SCREW, PAN (S/P WASHER) M3X5		
99	XC3183051	FELT							
100	018300532	BOLT, SOCKET M3X5							
101	XC7077051	SCREW 3X10							
102	XF2222001	TUBULAR ROUND ARMA SUPPLY ASSY							
103	XE7399001	TUBLAR ROUND ARM RA SET							
104	XC7076151	SPRING, PLATE		1000045530					
105	XC7644051	SCREW, PAM (S/P WASHER) M3X5							
106	XF2064001	TUBULAR ROUND ARM LA SET							
107	XC7076151	SPRING, PLATE		1000045530					
108	XC7644051	SCREW, PAM (S/P WASHER) M3X5							
109	XE7375001	SEAL							
110	XE7140001	GUIDE PLATE ASSY							
111	XE7143101	SPRING PLATE							
112	XF2050001	HOOP STAY A							
113	048030343	RETAINING RING, E3		1000038911					
114	XC5816051	RUBBER							
115	0A5400806	SCREW, PAN (S/P WASHER) M4X8							
116	XE7146001	TUBULAR ARM COVER L2							
117	XC5553051	THUMB BOLT M4 L							
118	XE7174001	TUBULAR ARM COVER R2							
119	136681051	TAPTITE, BIND B M3X8							
120	XE7414002	SEAL A							
121	XE7367001	POWER UNIT COVER							
122	XE7368001	INSULATION PLATE							
123	085311415	TAPTITE, BIND B M3X14							
124	XE8784201	POWER PCB SUPPLY ASSY: 100	R/H						
	XE8785201	POWER PCB SUPPLY ASSY: 200	R/H	1000038175					
125	XE8192001	LEAD WIRE ASSY:POWER PW							
126	XE8193001	LEAD WIRE ASSY:POWER SIGNAL							
127	XE8194001	LEAD WIRE ASSY:POWER MOTOR							
128	XC6209051	LEAD WIRE ASSY:POWER							
	XE8327001	LEAD WIRE ASSY:POWER 200							
129	XE8197001	SPIRAL TUBE							

(8) XycARRIAGE MECHANISM

Blank page

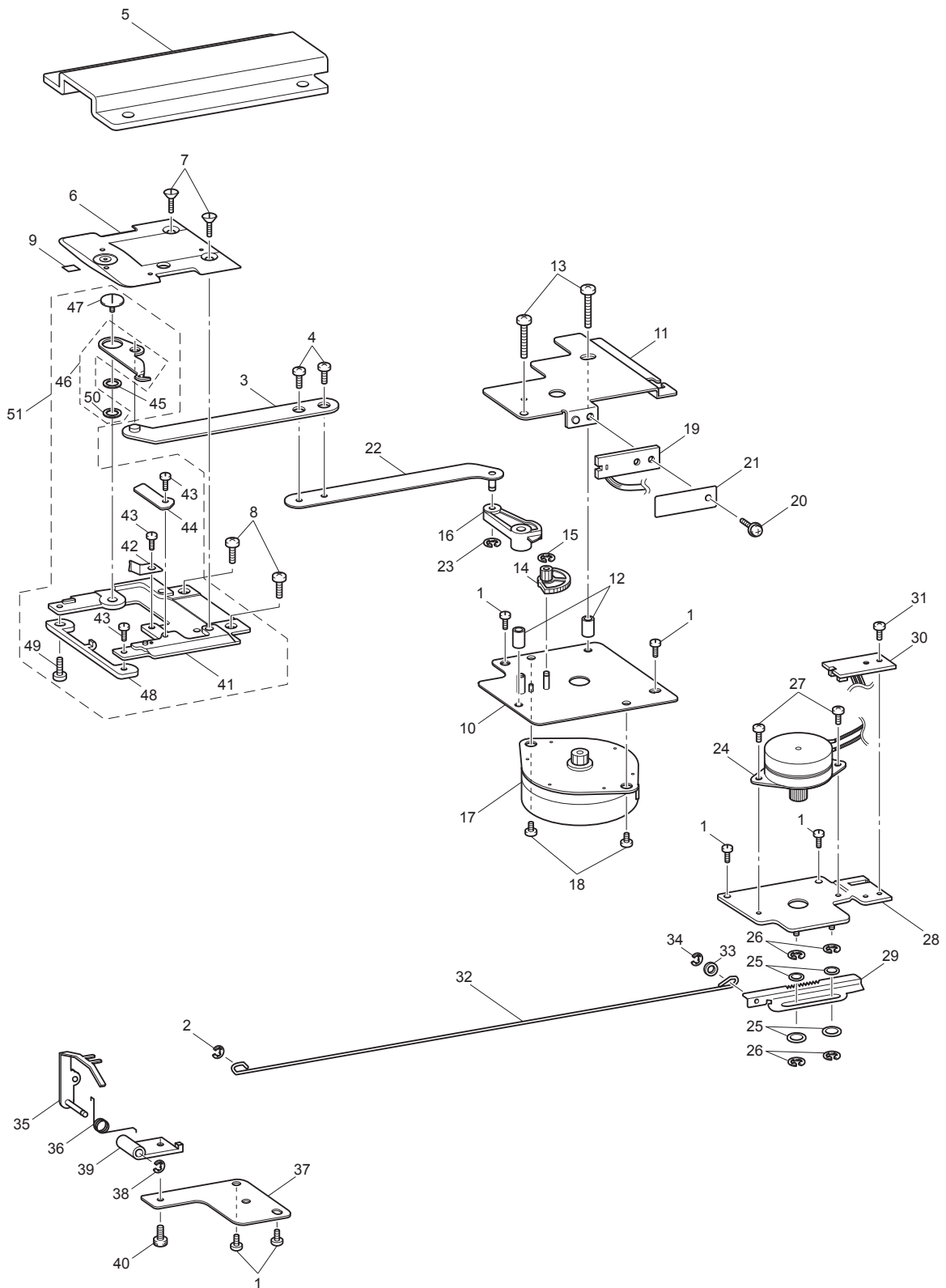
(9) LOWER SHAFT MECHANISM



(9) LOWER SHAFT MECHANISM

No.	CODE	NAME	R/H	REMARKS
1	XC5843051	LOWER SHAFT		
2	XC5630051	LOWER SHAFT METAL, F		
3	XA0840051	COLLAR		
4	XC5845051	LOWER SHAFT METAL, R		
5	XA0835050	WASHER. THURST 7.24		
6	XA0841051	LOWER SHAFT GEAR		
7	014060632	SET SCREW, SOCKET (CP) M6X6		
8	X57943051	BUSHING PRESSER		
9	X57908052	TAPTITE, BIND S M4X10		
10	XC6924001	ROTARY HOOK, DB1-ATR (1QB)	H	
11	XC7206001	BOBBIN CASE ASSY	H	
12	XC5846051	T BELT-S5M-525		
13	XC3183051	FELT		
14	XC5847051	IDLE PULLEY SHAFT	H	
15	048070343	RETAINING RING, E7		1000038911
16	X51383050	WASHER, THRUST		
17	XE7033001	IDLE PULLEY	H	
18	137768151	SET SCREW COLLAR		
19	014400432	SET SCREW, SOCKET (CP) M4X4		
20	XF2011001	BALL BEARING	H	
21	XC7271001	HOOK SET SCREW4.37		1000049427

(10) THREAD CUTTING MECHANISM

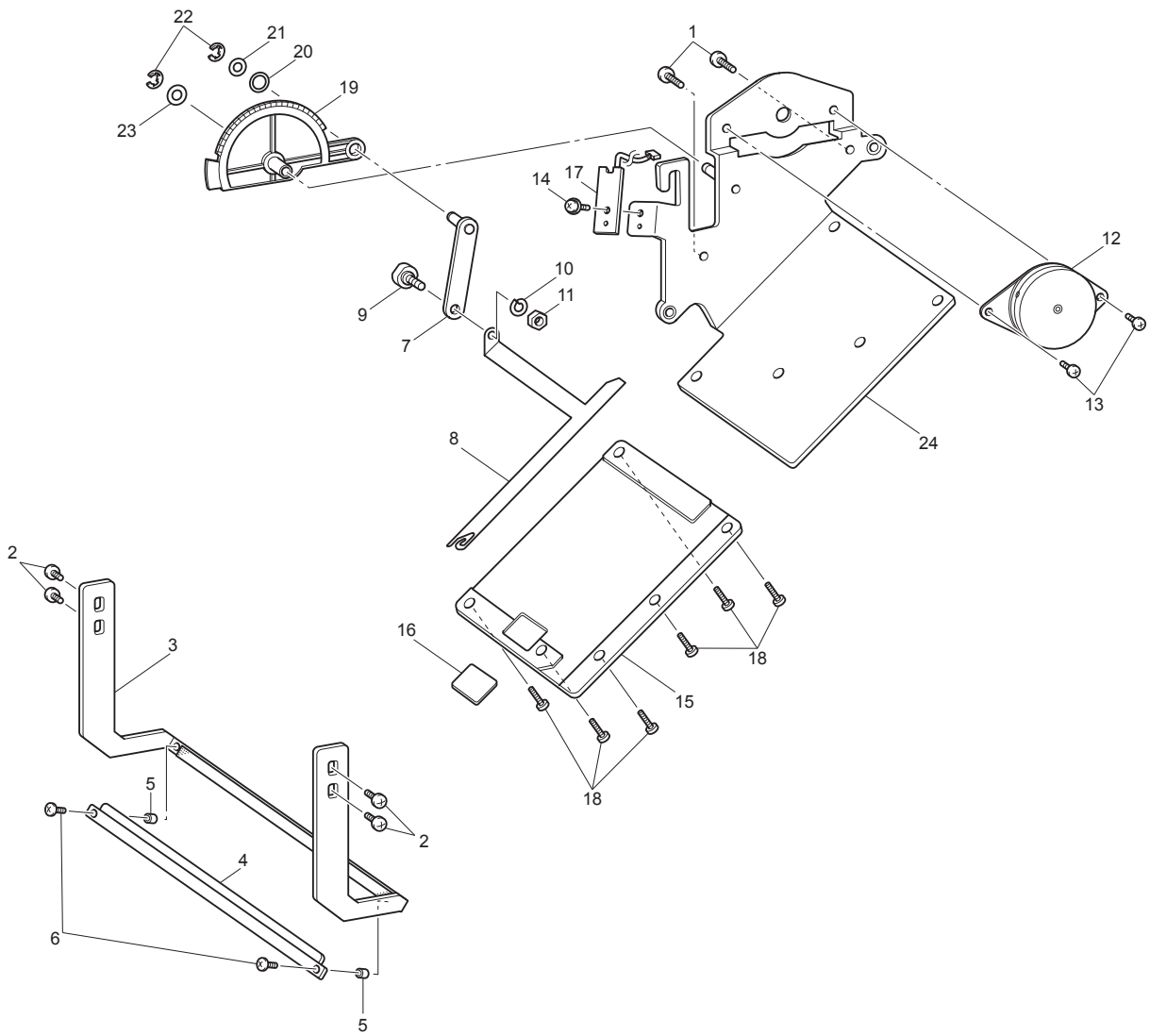


(10) THREAD CUTTING MECHANISM

No.	CODE	NAME	R/H	REMARKS	No.	CODE	NAME	R/H	REMARKS
1	060400616	SCREW, BIND M4X6			43	XC5881051	SCREW		
2	048020343	RETAINING RING, E2		1000038911	44	XC5882051	FIXED KNIFE *	H	
3	XC5871151	CUTTER LINK ASSY		1000051378	45	S32476001	COLLAR, M-KNIFE		
4	060300416	SCREW, BIND M3X4			46	XC6908151	MOVABLE KNIFE SUPPLY ASSY *	H	
5	XC5874051	BED COVER			47	S32475001	SCREW, M4		
6	XE1142001	NEEDLE PLATE	R		48	XC5879051	ROTARY HOOK STOPPER		
7	XC6404051	SCREW, FLAT M4			49	018300636	BOLT, SOCKET M3X6		
8	062400816	SCREW, PAN M4X8			50	XE1845001	MOVABLE KNIFE SPACER		
9	XC5984051	FELT			51	XE7460101	NEEDLE PLATE ASSY		1000055663
10	XC5858051	CT MOTOR BRACKET ASSY							
11	XC5863251	CUTTER BRACKET		1000055773					
12	XC5864051	COLLAR							
13	000401605	SCREW, BIND M4X16							
14	XC5865151	INITIAL GEAR		1000055773					
15	048020343	RETAINING RING, E2		1000038911					
16	XC5866051	LEVER GEAR							
17	XC6184051	ASSY: TH CUTTER MOTOR							
18	060300416	SCREW, BIND M3X4							
19	XC6152051	ASSY: TH CUTTER SENSOR							
20	XC7564051	SCREW, PAN (S/P WASHER) M3X6							
21	XE7791101	INSULATION SHEET		1000050144					
22	XC5868051	LEVER LINK ASSY							
23	048040343	RETAINING RING, E4		1000038911					
24	XF7432001	P PULSE MOTOR SMJ35-4840-HP		1000039409					
25	026030136	WASHER, PLAIN S 3							
26	048020343	RETAINING RING, E2		1000038911					
27	060300416	SCREW, BIND M3X4							
28	XC5510051	PK MOTOR BRACKET ASSY							
29	XC5513151	RACK ASSY							
30	XC6161051	ASSY: PICKER SENSOR							
31	XC7564051	SCREW, PAN (S/P WASHER) M3X6							
32	XC5856051	PICKER LINK							
33	026030136	WASHER, PLAIN S 3							
34	048020343	RETAINING RING, E2		1000038911					
35	XC5849151	PICKER ASSY							
36	XC5853051	PICKER SPRING	H						
37	XC5854051	PICKER BRACKET							
38	048020343	RETAINING RING, E2		1000038911					
39	XC6634151	PICKER HOLDER							
40	018300532	BOLT, SOCKET M3X5							
41	XC5876051	NEEDLE PLATE BASE ASSY							
42	XC6230051	THREAD HOLDING PLATE							

* Replacing the FIXED KNIFE(#44) and MOVABLE KNIFE SUPPLY ASSY(#46) simultaneously is recommended.

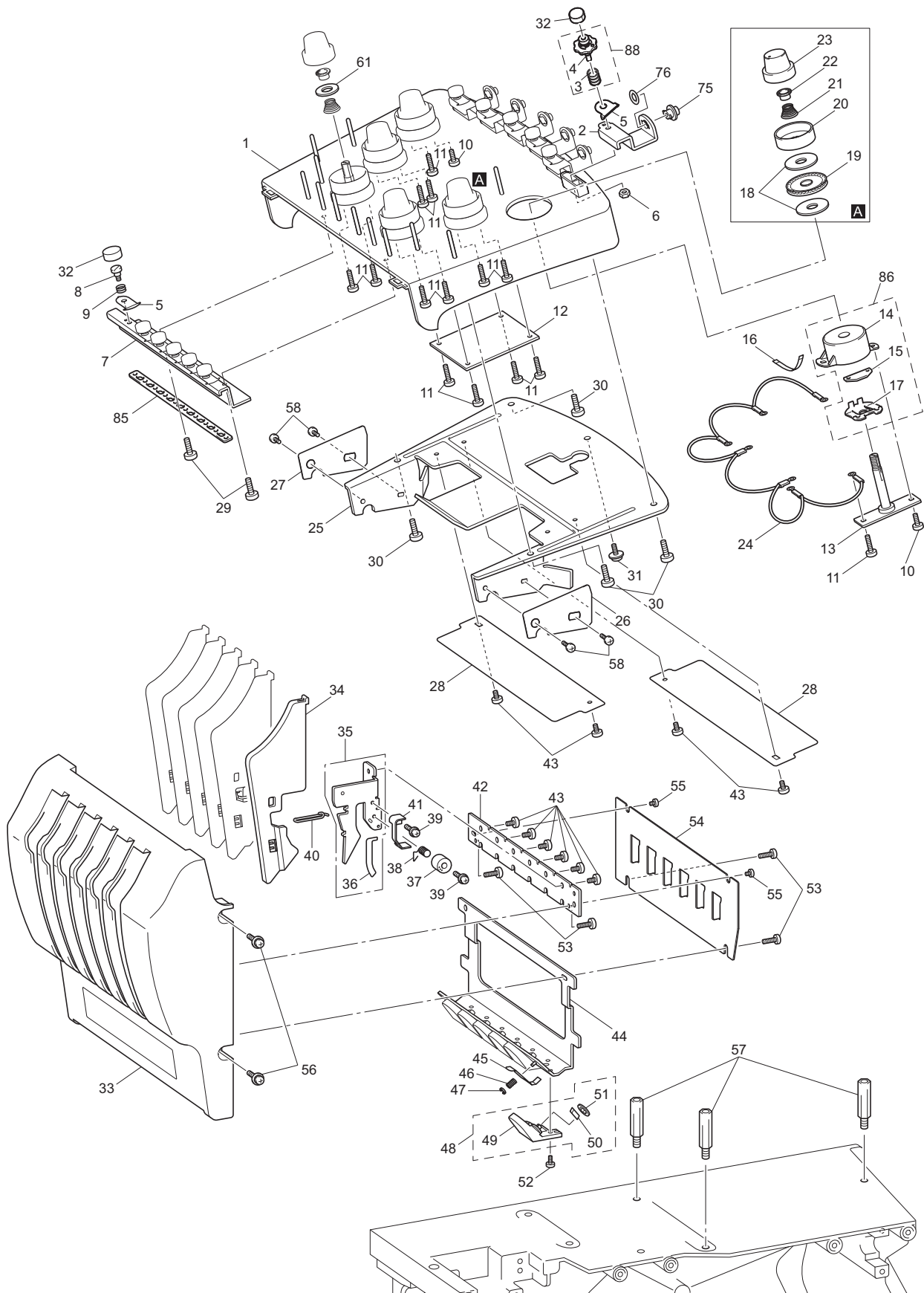
(11) WIPER MECHANISM



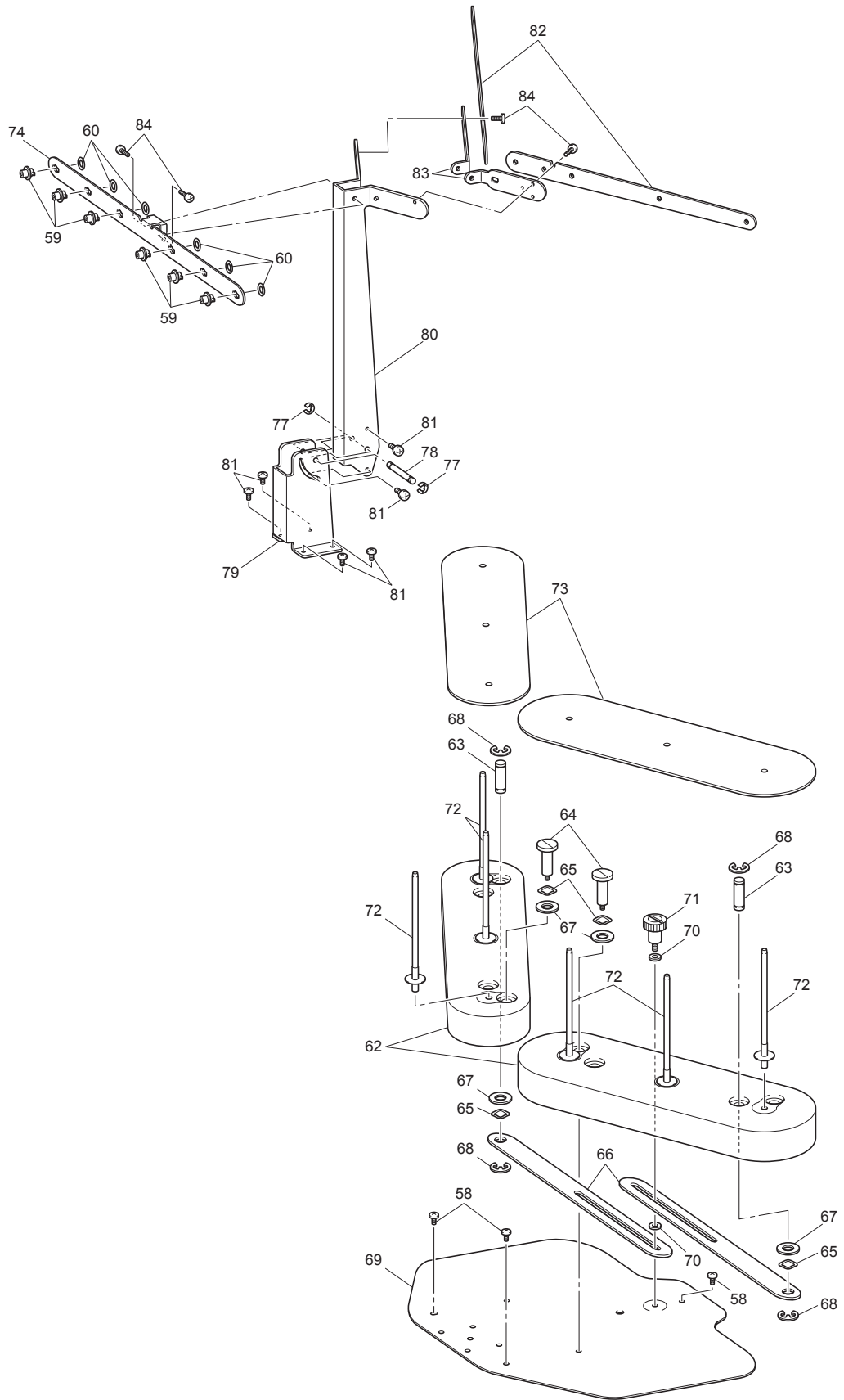
(11) WIPER MECHANISM

No.	CODE	NAME	R/H	REMARKS
1	X57908052	TAPTITE, BIND S M4X10		
2	060400616	SCREW, BIND M4X6		
3	XC5896351	THREAD PRESSER BASE ASSY		
4	XC5899051	THREAD PRESSER COVER ASSY		
5	XC5902051	THREAD PRESSER SPACER		
6	S46404001	SCREW, PAN M3X7		
7	XC5888051	WIPER LINK ASSY		
8	XC5891151	WIPER HOOK	H	
9	XC5892051	WIPER SHOULDER SCREW		
10	028040246	WASHER, SPRING 2-4		
11	021400305	NUT, 3 M4		
12	XF7430001	W PULSE MOTOR SMJ35-4840-JP		1000039409
13	062300416	SCREW, PAN M3X4		
14	XC7564051	SCREW, PAN (S/P WASHER) M3X6		
15	XC5893251	WIPER GUIDE		1000053655
16	XC5894051	WIPER CUSHION		
17	XC6155051	ASSY: WIPER SENSOR		
18	062300616	SCREW, PAN M3X6		
19	XC5887151	WIPER LEVER		
20	X53838051	WASHER		
21	025050236	WASHER, PLAIN M 5		
22	048040343	RETAINING RING, E4		1000038911
23	025060235	WASHER, PLAIN M 6		
24	XE8127101	WIPER BASE ASSY		1000053655

(12) UPPER THREADING MECHANISM



(12) UPPER THREADING MECHANISM



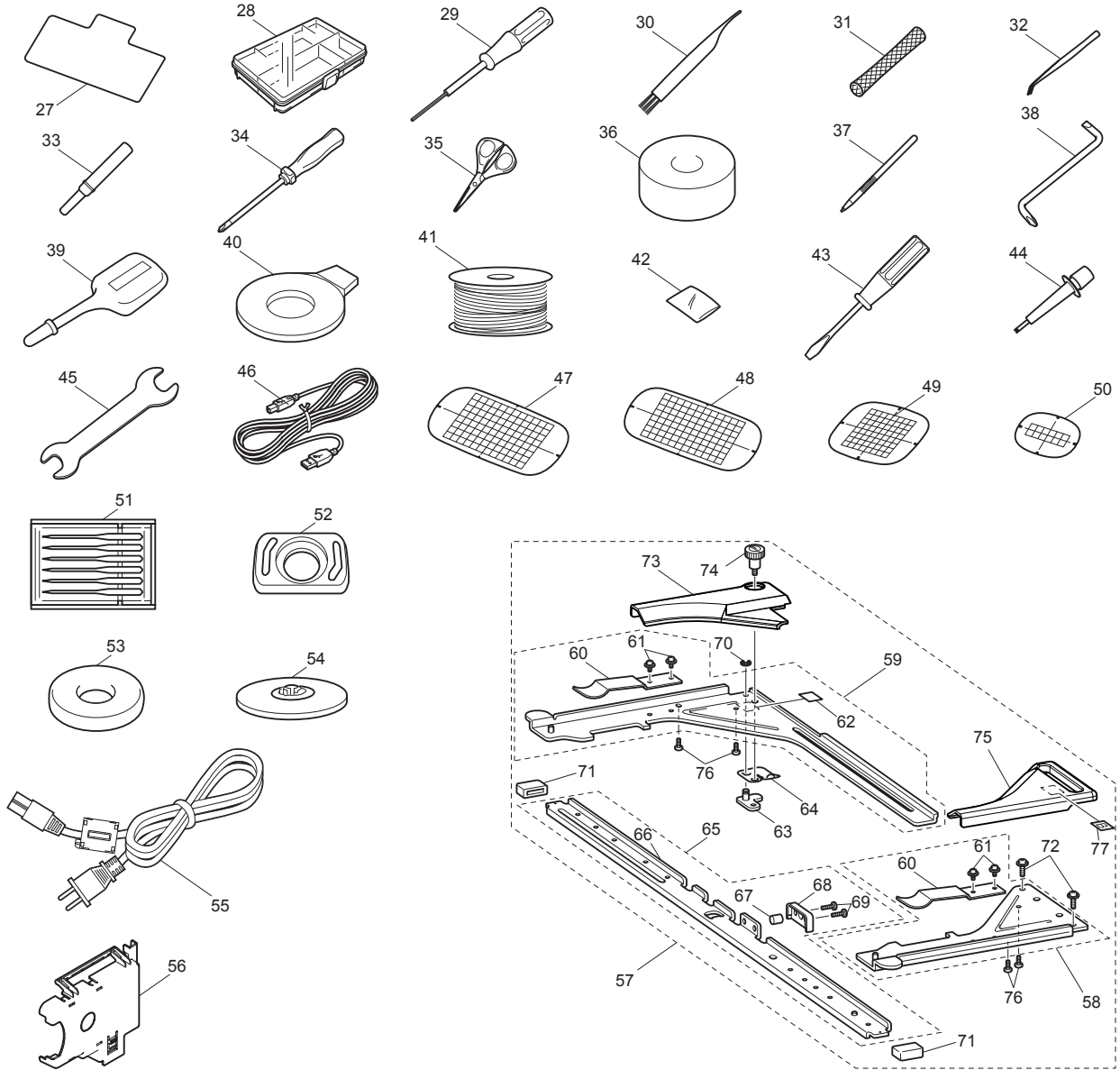
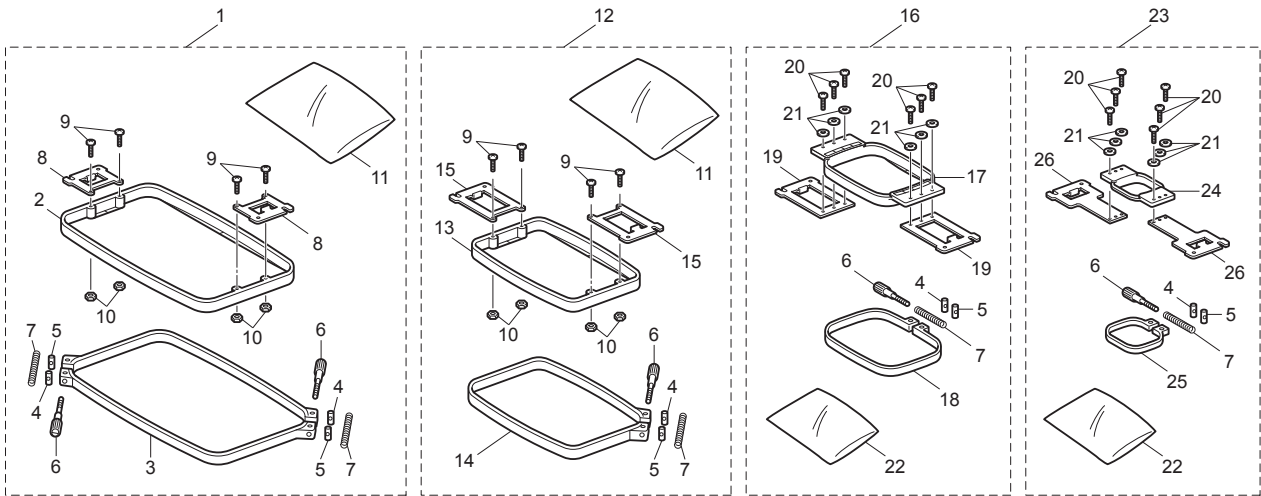
(12) UPPER THREADING MECHANISM

No.	CODE	NAME	R/H	REMARKS	No.	CODE	NAME	R/H	REMARKS
1	XC6350252	TENSION BASE			46	XC5962051	SPRING		
2	XC5905051	UPPER THREAD EYELET BASE			47	048015343	RETAINING RING, E1.5		1000038911
3	XG1127001	THREAD GUIDE COMPRESSION			48	XC5967052	CUTTER COVER ASSY		
4	XG1290001	SUB TENSION ASSY FOR 6			49	XC5972052	CUTTER COVER		
5	XC5907051	THREAD GUIDE TENSION PLATE			50	X80321001	NT LOWER THREAD CUTTER		
6	021300205	NUT, 2 M3			51	138384051	RETAINING RING, CS5		
7	XC5908151	INNER THREAD EYELET BASE			52	0A5300606	SCREW, PAN (S/P WASHER) M3X6		
8	XC5906051	THREAD GUIDE TENSION AXIS			53	085311016	TAPTITE, BIND B M3X10		
9	XZ0198051	BOBBIN WINDER COMPRESSION			54	XC5934051	THREAD GUIDE BACK COVER		
10	136681051	TAPTITE, BIND B M3X8			55	060260316	SCREW, BIND M2.6X3		
11	X59629051	TAPTITE, BIND B M3X10			56	0A5401006	SCREW, PAN (S/P WASHER) M4X10		
12	XC6164051	ASSY: HEAD PCB			57	XC5935051	STUD		
13	XC5911151	THREAD TENSION BRACKET			58	060400816	SCREW, BIND M4X8		
14	XC5914153	THREAD QUANTITY SENSOR COVER			59	XC5812051	PIPE BUSH A	H	
15	XC6167051	ASSY: TH SENSOR			60	XE8376001	O RING, P5	H	
16	XC6192051	FFC: SML2CD-H			61	XC7254051	WASHER		
17	XE8022001	THREAD QUANTITY SENSOR PRESSER			62	XC5938052	SPOOL STAND FRAME		
18	S36299001	TENSION DISC FELT	H		63	XC5939051	SPOOL STAND STUD		
19	XC7602000	ROTARY DISC ASSY B			64	XC5943051	STUD SCREW		
20	XC5915052	TENSION DISC PRESSER			65	XC5945051	SPRING WASHER		
21	XC6232051	TENSION SPRING	H		66	XC5946051	SPOOL STAND LINK		
22	S30564000	WASHER			67	XA9677051	WASHER		
23	XC5916052	TENSION NUT			68	048080343	RETAINING RING, E8		1000038911
24	XC6199051	LEAD WIRE ASSY: HEAD EARTH			69	XC5936051	SPOOL STAND BASE		
25	XC5917151	TENSION BASE BRACKET			70	XC5948051	SPACER		
26	XC5883051	COLOR SHEET R			71	XC5553051	THUMB BOLT M4 L		
27	XC5895051	COLOR SHEET L			72	XC5949051	SPOOL PIN		
28	XC6202051	BRACKET COVER			73	XC5950053	SPONGE		
29	085410816	TAPTITE, BIND B M4X8			74	XC5830051	ANTENNA E		
30	085411416	TAPTITE, BIND B M4X14			75	XC5812051	PIPE BUSH A		
31	XC7564051	SCREW, PAN (S/P WASHER) M3X6			76	XE8376001	O RING, P5		
32	XC5919053	TENSION AXIS CAP			77	048050343	RETAINING RING, E5		1000038911
33	XF2068001	TAKEUP LEVER COVER ASSY	R		78	XC6238051	ANTENNA SHAFT		
34	XC6001052	THREAD GUIDE COVER			79	XC6237051	ANTENNA D		
35	XC5921151	THREAD TAKE-UP BRACKET ASSY			80	XC5951051	ANTENNA C ASSY		
36	XC5925051	SPRING TAPE			81	060400616	SCREW, BIND M4X6		
37	XC6463051	THREAD CATCHING SPRING CASE			82	XC6236051	ANTENNA B		
38	XC5926051	THREAD TAKE-UP SPRING	R/H		83	XC6235051	ANTENNA A		
39	0A4300606	SCREW, PAN (S/P WASHER) M3X6			84	060300616	SCREW, BIND M3X6		
40	XC5929051	THREAD GUIDE WIRE	H		85	XE8971001	I THREAD EYELET BASE PLATE		
41	XC6234051	THREAD GUARD			86	XF1063003	TH SENSOR SUPPLY ASSY		
42	XC5930051	THREAD TENSION BRACKET BASE			87	XF2264101	SPACER		
43	060300416	SCREW, BIND M3X4			88	XG0699001	SUB TENSION SUPPLY ASSY FOR 6 (6 pack)		
44	XE3394001	THREAD HOLDER BASE ASSY							
45	XC5947051	NEEDLE THREAD PRESSER PLATE							

(12) UPPER THREADING MECHANISM

Blank page

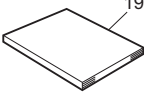
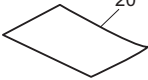
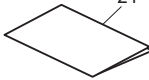
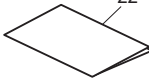
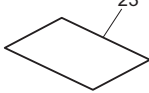
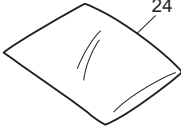
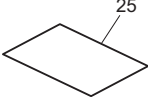
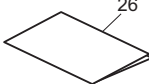
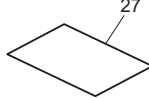
(13) ACCESSORY PARTS

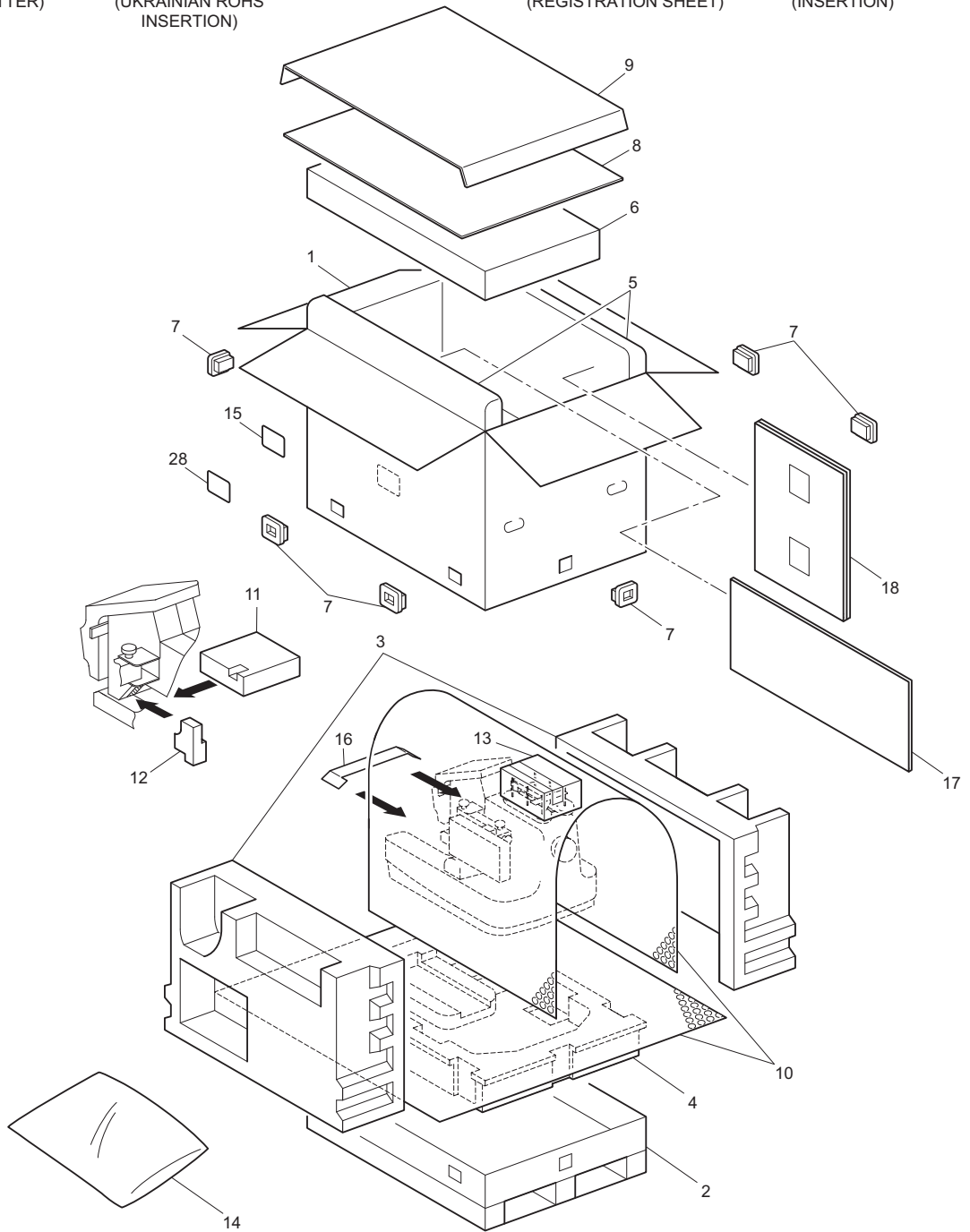


(13) ACCESSORY PARTS

No.	CODE	NAME	R/H	REMARKS	No.	CODE	NAME	R/H	REMARKS
1	XC5954051	TUBULAR FRAME 30X20 ASSY			45	XC6159051	WRENCH 13X10		
2	XC5955051	TUBULAR FRAME 30X20 INNER			46	XD1851051	USB I/F CORE CABLE 3M		
3	XC5956151	TUBULAR FRAME 30X20 OUTER			47	XC5704051	EMBROIDERY SHEET 30X20 ASSY		
4	S32798001	COLLAR			48	XC5721051	EMBROIDERY SHEET 18X13 ASSY		
5	S32799001	NUT, M4			49	XC5759051	EMBROIDERY SHEET 10X10 ASSY		
6	XC5957051	SCREW, M4			50	XC5761051	EMBROIDERY SHEET 06X04 ASSY		
7	S36043000	SPRING, COMPRESSION 5.3X47.7			51	XC6469001	NEEDLE ASSEMBLY		
8	XC5958051	HOLDER 30X20			52	XC6499151	NEEDLE PLATE COVER		
9	062401416	SCREW, PAN M4X14			53	XC7134051	SPOOL FELT		
10	021400206	NUT, 2 M4			54	130012054	SPOOL PRESSER A		
11	X60224051	BAG 350X700H			55	XE7256001	POWER SUPPLY CORD: CSA-CORE (USA, CAN, MEX)		
12	XC5959051	TUBULAR FRAME 18X13 ASSY				XE7258001	POWER SUPPLY CORD: BS-CORE (UK&IRE, MYS)		1000050840
13	XC5960051	TUBULAR FRAME 18X13 INNER				XE7260001	POWER SUPPLY CORD:SAA-LF CORE (AUS)		1000037059
14	XC5961051	TUBULAR FRAME 18X13 OUTER				XE7261001	POWER SUPPLY CORD:IRAM-CORE (ARG)		1000038532
15	XC5963051	HOLDER 18X13				XE7263201	POWER SUPPLY CORD:BRZ-CORE (BRA)		1000038491
16	XC5964051	TUBULAR FRAME 10X10 ASSY				XE7262001	POWER SUPPLY CORD:CHN-CORE (CHN)		1000039444
17	XC5965051	TUBULAR FRAME 10X10 INNER				XE2016001	POWER SUPPLY CORD KOR (KOR)		1000040544
18	XC5966051	TUBULAR FRAME 10X10 OUTER				XD0225051	POWER SUPPLY CORD:TWN (TWN)		1000040574
19	XC5968051	HOLDER 10X10				XE7257001	POWER SUPPLY CORD: CEE-CORE (OTHER)		
20	060300516	SCREW, BIND M3X5			56	XE6620001	CARD READER HOLDER		
21	025030236	WASHER, PLAIN M 3			57	XF2223001	TUBULAR ROUND ARMB SUPPLY ASSY		
22	XZ0197051	BAG 180X470			58	XE7364001	TUBLAR ROUND ARM RB SET		
23	XC5969051	TUBULAR FRAME 06X04 ASSY			59	XF2054001	TUBLAR ROUND ARM LB SET		
24	XC5970051	TUBULAR FRAME 06X04 INNER			60	XC7076151	SPRING,PLATE		1000045530
25	XC5971051	TUBULAR FRAME 06X04 OUTER			61	XC7644051	SCREW, PAM (S/P WASHER) M3X5		
26	XC5973051	HOLDER 06X04			62	XE7375001	SEAL		
27	XC7150051	SHEET (PR655C)			63	XE7140001	GUIDE PLATE ASSY		
28	XC6482051	ACCESSORY CASE			64	XE7143101	SPRING PLATE		
29	XC5159051	HEXAGONAL DRIVER, 1.5			65	XF2055001	HOOP STAY B ASSY		
30	X59476051	CLEANING BRUSH			66	XF2047001	HOOP STAY B		
31	S34455000	NET, 160L			67	XE2270001	MAGNET		
32	XC6542051	PINCETTE			68	XE2271001	MAGNET HOLDER		
33	XF4967001	RIPPER ASSY			69	060300613	SCREW BIND M3X6		
34	XC6543051	SCREW DRIVER, 2X100			70	048030343	RETAINING RING E3		1000038911
35	XF2052001	SCISSORS		1000044769	71	XC5816051	RUBBER		
36	XC5974151	BOBBIN TENSION GAUGE			72	0A5400806	SCREW PAN (S/P WASHER) M4X8		
37	XA9940051	TOUCH PEN			73	XE7146002	TUBULAR ARM COVER L2		
38	XC6545051	Z-TYPE SCREW-DRIVER, +-			74	XC5553051	THUMB BOLT M4 L		
39	XG3677001	OILER SUPPLY ASSY (European)		1000051155	75	XE7174002	TUBULAR ARM COVER R2		
	XZ0206051	OILER B ASSY (OTHER)		1000051155	76	136681051	TAPTITE, BIND B M3X8		
40	XC1074051	DISC-SHAPED SCREWDRIVER			77	XE7415002	SEAL B		
41	XC6368051	BOBBIN							
42	X60838051	BAG, 70X110C							
43	X55468051	SCREW DRIVER S							
44	XF2212001	NEEDLE EXCHANGE TOOL							

(14) PACKAGE / USER MANUAL

- 
 (INSTRUCTION MANUAL)
- 
 (WARRANTY CARD)
- 
 (QUICK REFERENCE GUIDE)
- 
 (ADDENDUM)
- 
 (INSERTION WEEEE)
- 
 (for PRINTED MATTER)
- 
 (UKRAINIAN ROHS INSERTION)
- 
 (REGISTRATION SHEET)
- 
 (INSERTION)



(14) PACKAGE / USER MANUAL

No.	CODE	NAME	R/H	REMARKS	No.	CODE	NAME	R/H	REMARKS
PACKING MATERIALS					20	XF2705101	PREMIUM WARRANTY FOR US (USA)		
1	XF6995001	CARTON TOP:MODELPR655 ASSY (AUS)	R	1000037059		XE7726101	WARRANTY CARD (CAN)		
	XF6832001	CARTON TOP:MODELPR655 (RUS)	R			XF6323101	2&5 WARRANTY FOR US (USA)		1000038646
	XF2144001	CARTON TOP:MODELPR655 (OTHER)	R			XG6840001	WARRANTY CARD BRO BR HEM (BRA)		1000053985
2	XE7492001	CARTON BOTTOM	R	1000055540	21	XF2227001	QUICK REFERENCE GUIDE	R	
3	XE7040101	POLYSTYRENE FOAM SUPPLY ASSY	R			XF2228001	QUICK REFERENCE GUIDE ASIA	R	
4	XC5797350	POLYSTYRENE FOAM PAD BOTTOM	R		22	XF2142001	ADDENDUM	R	
5	XC5825250	POLYSTYRENE FOAM PAD SIDE	R		23	XF0300101	INSERTION WEEE		
6	XC6452150	POLYSTYRENE FOAM PAD TOP	R		24	XF3666001	BAG 230X340H		
7	XC5848051	JOINT			25	XE9897001	UKRAINIAN ROHS INSERTION (RUS)		
8	XC5867050	PAD D	R		26	XE9639001	REGISTRATION SHEET (USA)		
9	XC5932050	CARTON PAD D	R		27	LW0985001	INSERTION CHINA ROHS PR		1000051781
10	XC6459051	SHEET, 1400X2000			28	XG1930001	ROHS STICKER 10		1000051781
11	XC6585350	POLYSTYRENE FOAM PAD FOOT	R			XG4208001	ADDRESS LABEL BR BITW		1000051957
12	XC7140150	HOOK SUPPORT SF	R	1000051163		XG4212001	WARRANTY LABEL BR 90DAYS		1000051957
13	XC7154050	ANTENNA PROTECT PAD	R						
14	X60224051	BAG, 350X700H							
15	XC6557051	C STICKER (PR655C)							
16	XE7435001	X CARRIAGE PAD	R						
17	XF2210001	PAD S	R						
18	XF2217001	PAD L (DEU&FRA&ITA&CHE&EEU&NEU)	R						
PRINTED MATTER									
19	XF2140101	INSTRUCTION MANUAL ENGLISH (English)	R	1000050149					
	XF2141101	INSTRUCTION MANUAL SPANISH (Spanish)	R	1000050149					
	XF2167101	INSTRUCTION MANUAL FRANCE (French)	R	1000050149					
	XF2166101	INSTRUCTION MANUAL GERMANY (German)	R	1000050149					
	XF2168101	INSTRUCTION MANUAL NETHERLANDS (Dutch)	R	1000050149					
	XF2169101	INSTRUCTION MANUAL ITALY (Italian)	R	1000050149					
	XF2170001	INSTRUCTION MANUAL RUSSIA (Russian)	R						
	XF2172101	INSTRUCTION MANUAL CEE for CEE (Nordic & East European languages)	R	1000050149					
	XF2171001	INSTRUCTION MANUAL BR (Portuguese)	R	1000038491					
	XF7499001	INSTRUCTION BOOK CHA (Chinese)	R	1000039444					
	XF8110001	INSTRUCTION MANUAL TC (TWN: Chinese)	R	1000040574					
	XF7498001	INSTRUCTION BOOK KOR (Korean)	R	1000040544					

brother